



直驱高速平缝机 ZJ9703 Series
DIRECT-DRIVE HIGH SPEED LOCKSTITCH
SEWING MACHINE

零件手册 PARTS BOOK

浙江中捷缝纫科技有限公司
ZOJE SEWING MACHINE CO., LTD.

目 录

CONTENTS

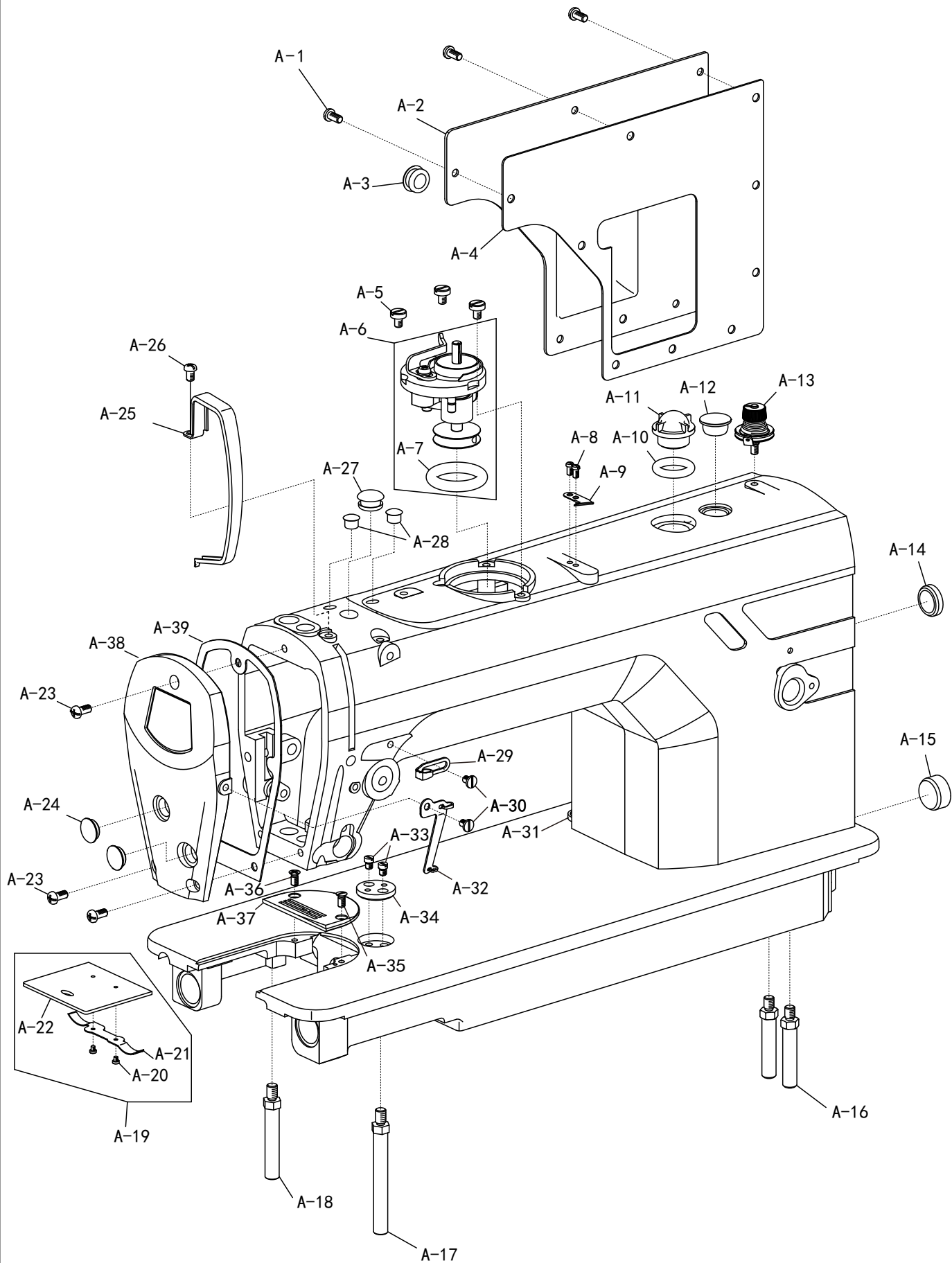
零件样本 Parts Book

A	机壳分组件 Machine Frame & Miscellaneous Cover Components	1
B	上轴、挑线分组件 Main Shaft & Thread Take-up Cover Components	3
C	针杆、夹线分组件 Needle bar & thread tension components	5
D	压料、松线分组件 Presser bar & tension release components	8
E	钩线分组件 Hook of driving shaft components	11
F	送料分组件 Feed mechanism components	13
G	送料调节分组件 Feed regulating components	16
H	剪线分组件 Thread trimmer components	18
I	润滑分组件 Lubrication Components	21
J	油盘、膝抬压脚分组件 Presser Foot Components Of Oil Plate Knee Lift	23
K	过线架分组件 Components Of Thread-running Stand	25
L	附件 Auxiliaries	27
M	电控分组件 Drive-by-wire Components	29

A

机壳分组件

Machine frame&miscellaneous cover components

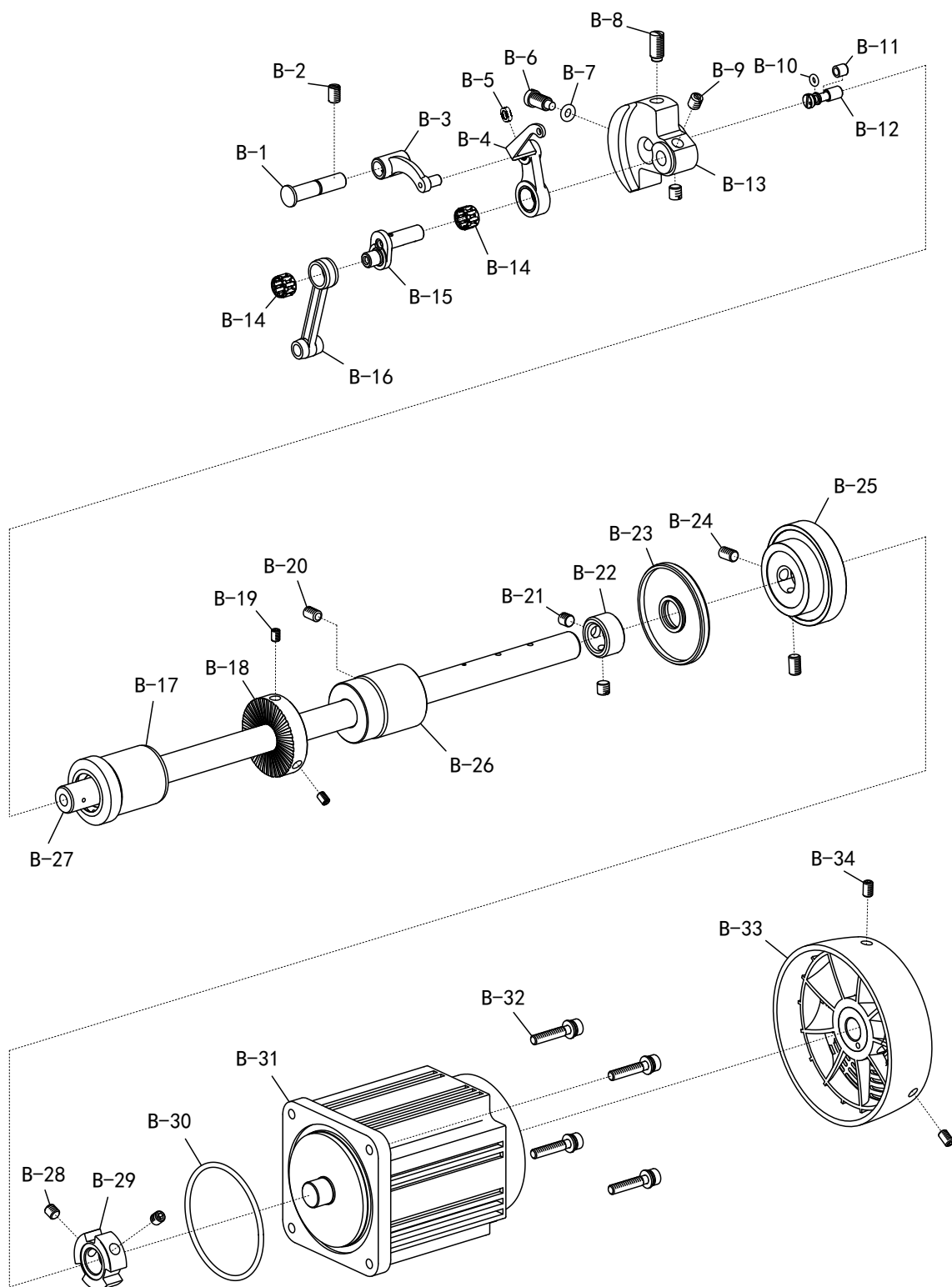


A

机壳分组件

Machine frame&miscellaneous cover components

序号 Ref.No.	物料号 Part.No.	名称	Description	数量 Q'ty	备注 Remark
A-1	10008972	螺钉	Screw	9	
A-2	20018952	后窗板	Side plate	1	
A-3	10008977	橡胶塞	Rubber plug	1	
A-4	10052027	后窗板垫	Side plate gasket	1	
A-5	10004380	螺钉	Screw	3	
A-6	10031086	绕线器	Bobbin wider ASM.	1	
A-7	10008773	橡胶轮	Rubber ring	1	
A-8	10050423	螺钉	Screw	2	
A-9	10011149	绕线切刀	Thread cutter	1	
A-10	10008939	O形圈	O-ring	1	
A-11	10008938	油窗	Oil window	1	
A-12	10009576	橡胶塞	Rubber plug	1	
A-13	10034382	绕线夹线器	Bobbin thread tension ASM.	1	
A-14	10008975	橡胶塞	Rubber plug	1	
A-15	10008941	橡胶塞	Rubber plug	1	
A-16	10002577	底板支柱	Bed screw stud	2	
A-17	10008871	底板支柱	Bed screw stud	1	
A-18	10008830	底板支柱	Bed screw stud	1	
A-19	10013706	推板部件	Side plate ASM.	1	
A-20	10010080	螺钉	Screw	2	
A-21	10003963	推板簧	Spring of side	1	
A-22	10003960	推板	Side plate	1	
A-23	10008972	螺钉	Screw	3	
A-24	10008977	橡胶塞	Rubber plug	2	
A-25	10014082	挑线杆防护罩	Thread take-up lever cover	1	
A-26	10008934	螺钉	Screw	1	
A-27	10008942	橡胶塞	Rubber plug	1	
A-28	10008943	橡胶塞	Rubber plug	2	
A-29	10008943	右线钩	Arm thread guide right	1	
A-30	10008973	螺钉	Screw	2	
A-31	10039611	电线过线套	Rubber plug	1	
A-32	10040996	左线钩	Arm thread guide left	1	
A-33	10004374	螺钉	Screw	2	
A-34	10004373	限位挡片	Ruler plate	1	
A-35	10009005	螺钉	Screw	1	
A-36	10012463	螺钉	Screw	1	
A-37	10052464	针板	Needle plate	1	
A-37	10014459	针板	Needle plate	1	-5
A-37	10052350	针板	Needle plate	1	S7/H
A-38	20013583	面板	Face plate	1	
A-39	10039362	面板垫	Face plate gasket	1	



B

上轴、挑线分组件

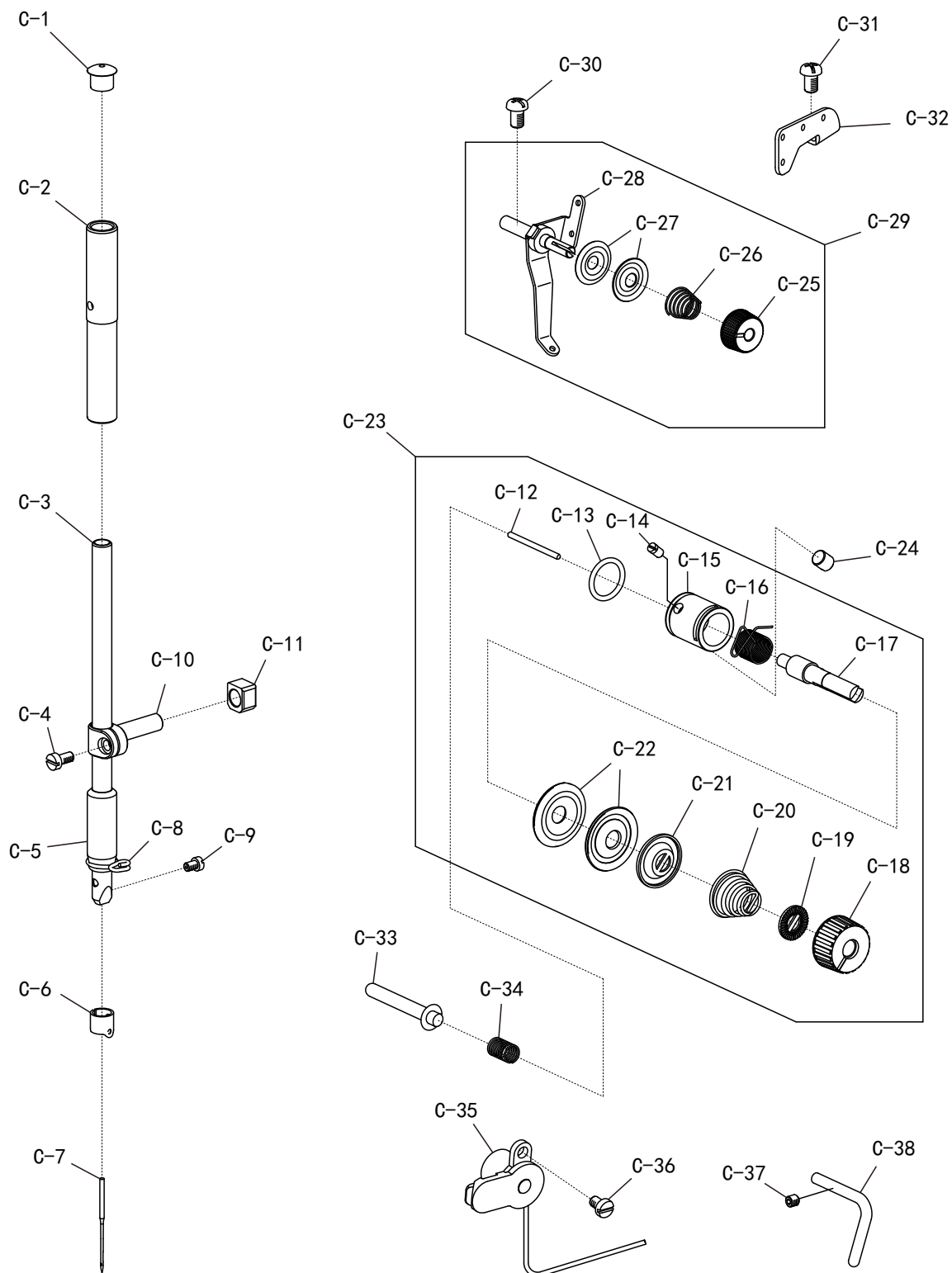
Main shaft&thread take-up components

序号 Ref.No.	物料号 Part.No.	名称	Description	数量 Q'ty	备注 Remark
B-1	10010543	挑线连杆销	Thread take-up crank shaft	1	
B-2	10010083	螺钉	Screw	1	
B-3	10010535	挑线连杆	Thread take-up bar	1	
B-3	10005936	挑线连杆	Thread take-up bar	1	H
B-4	10038474	挑线杆分部件	Thread take-up lever Asm.	1	
B-4	10004158	挑线杆分部件	Thread take-up lever Asm.	1	S7
B-4	10005939	挑线杆分部件	Thread take-up lever Asm.	1	H
B-5	10010539	挑线杆防油圈	Oil resistant cover	1	
B-6	10010545	螺钉	Screw	1	
B-7	10010534	O形圈	O-ring	1	
B-8	10010082	螺钉	Screw	1	
B-9	10010065	螺钉	Screw	2	
B-10	10010538	O形圈	O-ring	1	
B-11	10010540	油量调节销套	Sleeve of adjusting pin	1	
B-12	10010504	油量调节销	Adjusting pin	1	
B-13	10012203	针杆曲柄	Counter weight	1	
B-13	10012858	针杆曲柄	Counter weight	1	-5/H
B-14	10010504	滚针轴承	Bearing	2	
B-15	10004144	挑线曲柄	Needle bar crank	1	
B-15	10005937	挑线曲柄	Needle bar crank	1	-5/H
B-16	10010592	针杆连杆	Needle bar crank rod	1	
B-17	10007233	上轴前轴套	Bearing support	1	
B-18	10004472	绕线主动轮	Wheel	1	
B-19	10012062	螺钉	Screw	2	
B-20	10010506	螺钉	Screw	1	
B-21	10005020	螺钉	Screw	2	
B-22	10010542	上轴挡圈	Thrust collar	1	
B-23	10008803	上轴油封	Oil seal	1	
B-24	10012161	螺钉	Screw	2	
B-25	10032938	上轴联轴器	Coupling	1	
B-26	10007239	上轴中轴套	Bearing support	1	
B-27	10008910	上轴	Main shaft	1	
B-28	10050053	螺钉	Screw	2	
B-29	10040329	电机联轴器	Coupling	1	
B-30	10003796	电机O形圈	O-ring	1	
B-31	10035432	电机	Motor	1	(01)
B-31	10037571	电机	Motor	1	-5/H(01)
B-31	10047632	电机	Motor	1	(02)
B-32	10006157	螺钉	Screw	4	
B-33	10035508	上轮	Head wheel	1	
B-34	10002436	螺钉	Screw	2	

C

针杆、夹线分组件

Needle bar & thread tension components





针杆、夹线分组件

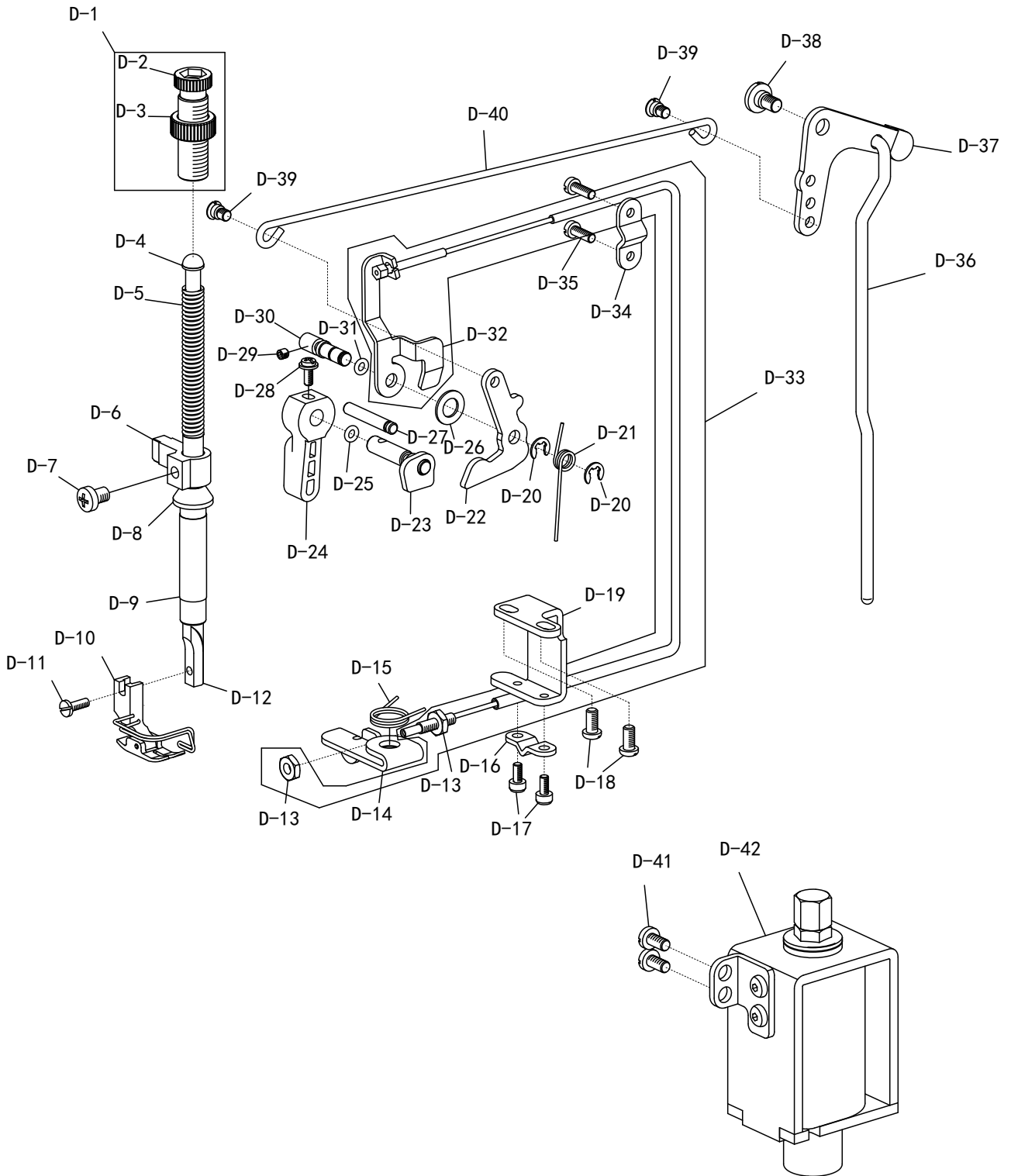
Needle bar & thread tension components

序号 Ref.No.	物料号 Part.No.	名称	Description	数量 Q'ty	备注 Remark
C-1	10010587	橡胶塞	Rubber plug	1	
C-2	10011063	针杆上轴套	Bearing support	1	
C-3	10041608	针杆	Needle bar	1	
C-3	10041609	针杆	Needle bar	1	-5/H
C-4	10011063	螺钉	Screw	1	
C-5	10014117	针杆下轴套	Bearing support	1	
C-5	10005916	针杆下轴套	Bearing support	1	-5/H
C-6	10005943	针杆下轴套线钩	Needle bar thread guide	1	
C-7	10034917	机针	Needle DB×1 14#	1	
C-7	10034916	机针	Needle DP×5 18#	1	-5/H
C-8	10010591	针杆线钩	Needle bar thread guide	1	
C-8	10005945	针杆线钩	Needle bar thread guide	1	-5/H
C-9	10010588	支针螺钉	Screw	1	
C-10	10010590	针杆连接柱	Needle bar holder	1	
C-11	10010586	针杆连接柱滑块	Slide block	1	
C-12	10004184	松线钉	Thread release pin	1	
C-13	10004183	O形圈	O-ring	1	
C-14	10004200	螺钉	Screw	1	
C-15	10039524	挑线簧调节座	Tension post socket	1	
C-16	10004201	挑线簧	Spring	1	
C-17	10004177	夹线螺钉	Screw	1	
C-18	10012981	夹线螺母	Nut	1	
C-19	10004199	夹线制动板	Tension disc stopper	1	
C-20	10004176	夹线簧	Spring	1	
C-20	10005941	夹线簧	Spring	1	
C-21	10004179	松线板	Thread release disc	1	
C-22	10004180	夹线板	Tension disc holder	2	
C-23	10041354	夹线器	Thread take-up device	1	
C-23	10041543	夹线器	Thread take-up device	1	-5/H
C-24	10006264	螺钉	Screw	1	
C-25	10004181	夹线螺母	Nut	1	
C-26	10005838	夹线簧	Spring	1	
C-27	10005839	夹线板	Tension disc holder	2	
C-28	10005841	夹线螺钉	Screw	1	
C-29	10012867	上夹线器	Thread take-up device	1	
C-30	10008934	螺钉	Screw	1	
C-31	10008934	螺钉	Screw	1	
C-32	10033232	上过线板	Thread tension guide	1	
C-33	10008839	松线辅钉	Tension release supporting pin	1	
C-34	10050348	弹簧	Spring	1	
C-35	10039460	电子夹线器	Electromagnet	1	

D

压料、松线分组件

Presser bar & tension release components

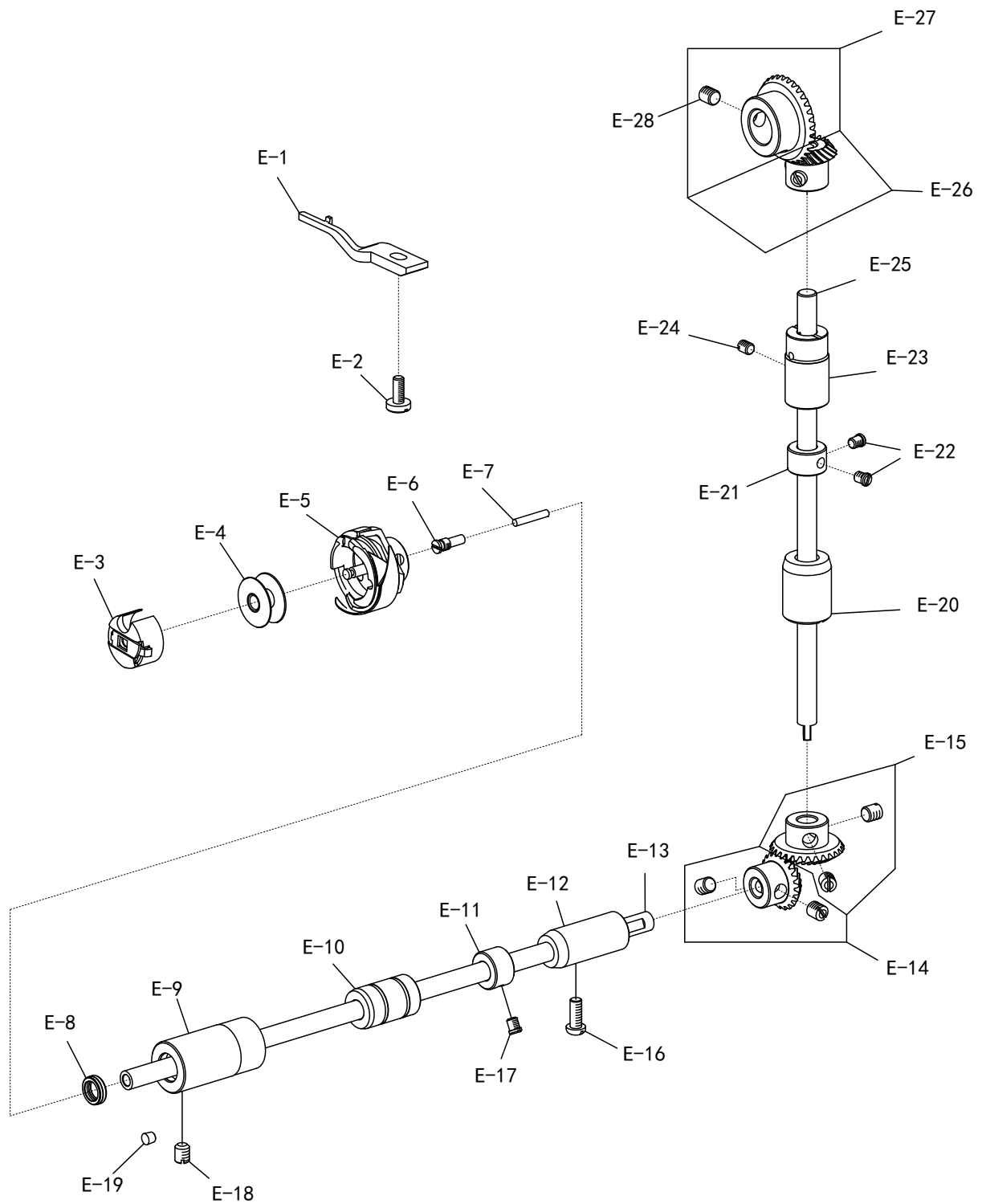


D

压料、松线分组件

Presser bar & tension release components

序号 Ref.No.	物料号 Part.No.	名称	Description	数量 Q'ty	备注 Remark
D-1	10008409	调压螺钉组件	Screw ASM.	1	
D-2	10011022	调压螺钉	Screw	1	
D-3	10011023	调压螺母	Nut	1	
D-4	10004439	调压导杆	Presser guide bar	1	
D-5	10004473	调压簧	Spring	1	
D-6	10039365	压杆导架	Presser guide bar bracket	1	
D-7	10000325	螺钉	Screw	1	
D-8	10011457	压紧杆防油罩	Oil protector cover	1	
D-9	10014118	压杆轴套	Bearing support	1	
D-9	10005915	压杆轴套	Bearing support	1	-5/H
D-10	10052532	活压脚部件	Presser foot ASM.	1	
D-10	10005982	活压脚部件	Presser foot ASM.	1	-5
D-11	10010650	螺钉	Screw	1	
D-12	10010646	压杆	Presser bar	1	
D-13	10005697	螺母	Nut	2	
D-14	10008860	松线座	Loosing plate	1	
D-15	10008834	弹簧	Spring	1	
D-16	10013615	钢绳固定板	Fixing shutter	1	
D-17	10006624	螺钉	Screw	2	
D-18	10008972	螺钉	Screw	2	
D-19	10008811	松线钢绳座	Loosing line plate	1	
D-20	10013038	开口挡圈	Snap ring	2	
D-21	10039381	弹簧	Spring	1	
D-22	10039371	升降板	Lifting lever	1	
D-23	10050190	压脚扳手凸轮部件	Hand lifter CAM ASM.	1	
D-24	10011064	压脚扳手	Hand lifter	1	
D-25	10010027	O形圈	O-ring	1	
D-26	10050590	平垫圈	Snap ring	1	
D-27	10039374	销	Shaft	1	
D-28	10010016	螺钉	Screw	1	
D-29	10009074	螺钉	Screw	1	
D-30	10039373	销	Screw	1	
D-31	10010027	O形圈	O-ring	1	
D-32	10039372	松线顶板	Tension release plate	1	
D-33	10039380	抬压脚拉线组件	Foot lifter pull thread components	1	
D-34	10039378	软管压板	platen	1	
D-35	10009037	螺钉	Screw	2	
D-36	10039377	抬压脚顶杆	Connecting rod verrical	1	
D-37	10039379	抬压脚后杠杆	Lifting lever link	1	
D-38	10010652	螺钉	Screw	1	
D-39	10010651	螺钉	Screw	1	

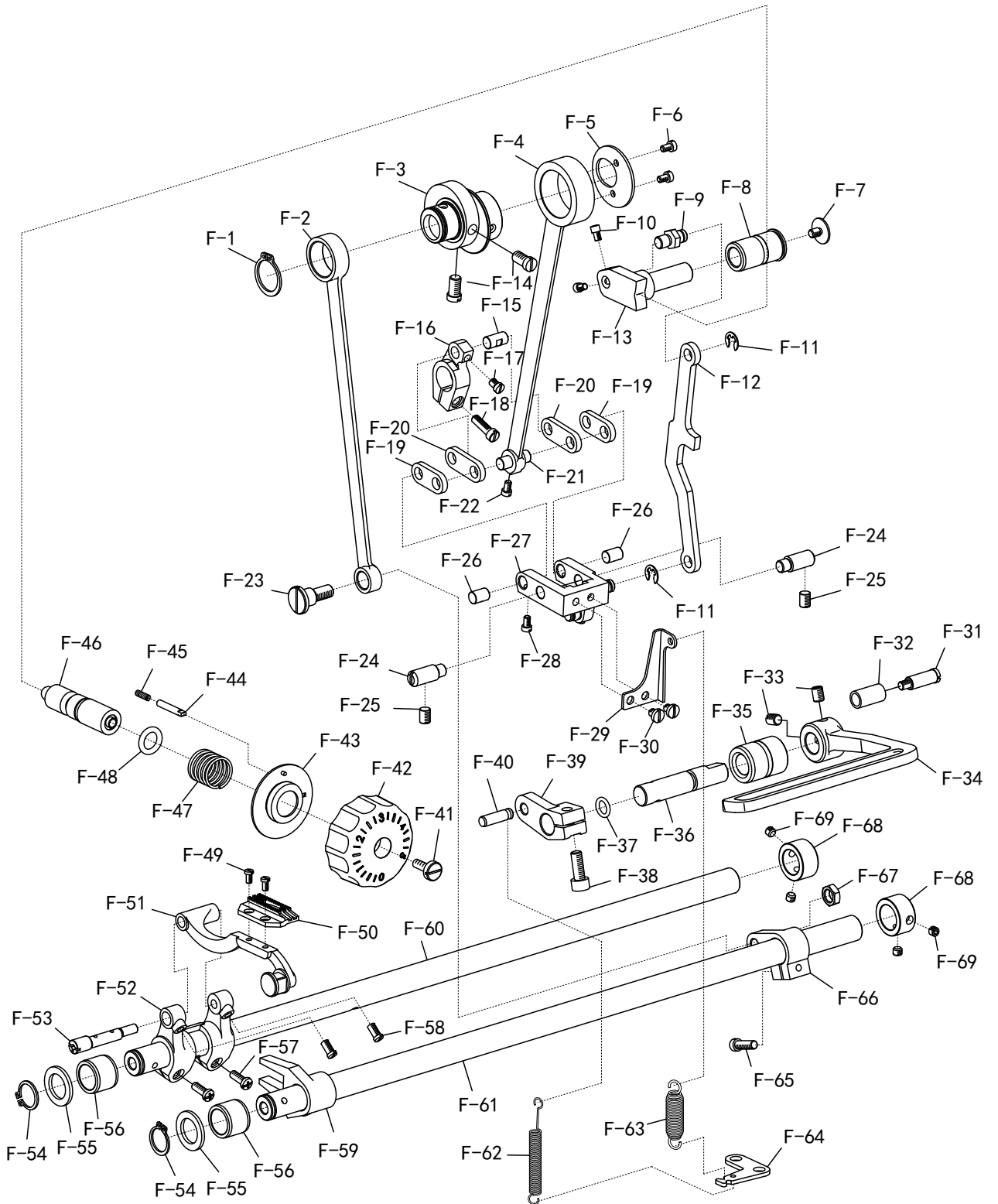


E

钩线分组件

Hook of driving shaft components

序号 Ref.No.	物料号 Part.No.	名称	Description	数量 Q'ty	备注 Remark
E-1	10031259*	旋梭定位钩	Positioning finger	1	
E-2	10011101	螺钉	Screw	1	
E-3	10006924	梭壳	Bobbin case	1	
E-3	10031867	梭壳	Bobbin case	1	H
E-4	10025484	梭芯	Bobbin	1	
E-4	10007138	梭芯	Bobbin	1	H
E-5	10038530	旋梭	Hook	1	
E-5	10051547	旋梭	Hook	1	-5
E-5	10039876	旋梭	Hook	1	H
E-6	10010064	限油螺钉	Screw	1	
E-7	10010063	油芯	Oil wick	1	
E-8	10013029	油封	Oil seal	1	H
E-9	10040274	下轴前轴套	Bearing support	1	
E-9	10026781	下轴前轴套	Bearing support	1	
E-10	10008857	下轴中轴套	Bearing support	1	
E-11	10010058	挡圈	Snap ring	1	
E-12	10007266	下轴后轴套	Bearing support	1	
E-13	10008821	下轴	Hook driving shaft	1	
E-14	10002560	下轴伞齿轮组件	Gear	1	
E-15	10002509	竖轴下伞齿轮组件	Gear	1	
E-16	10010030	螺钉	Screw	1	
E-17	10010059	螺钉	Screw	2	
E-18	10010593	螺钉	Screw	1	
E-19	10008864	橡胶塞	Rubber plug	1	
E-20	10007235	竖轴下轴套	Bearing support	1	
E-21	10010058	挡圈	Snap ring	1	
E-22	10010059	螺钉	Screw	2	
E-23	10007267	竖轴上轴套	Bearing support	1	
E-24	10039610	螺钉	Screw	1	
E-25	10000000	竖轴	Upright shaft	1	
E-26	10002561	竖轴上伞齿轮组件	Gear	1	
E-27	10002445	上轴伞齿轮组件	Gear	1	
E-28	10010065	螺钉	Screw	8	



F

送料分组件

Feed mechanism components

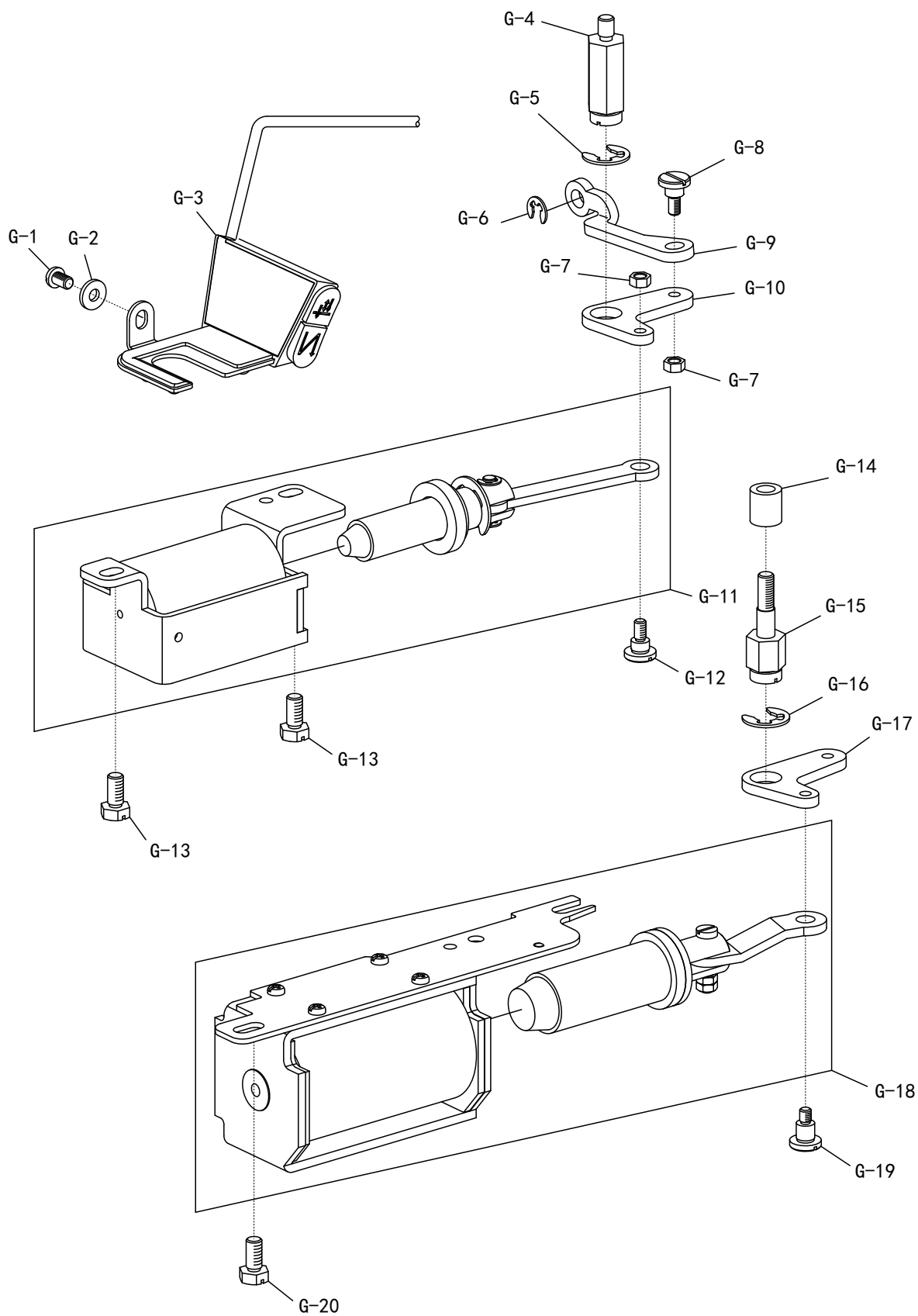
序号 Ref.No.	物料号 Part.No.	名称	Description	数量 Q'ty	备注 Remark
F-1	10010089	挡圈	Snap ring	1	
F-2	10010084	抬牙连杆	Connecting rod	1	
F-3	10010115	送料偏心轮	Feed drive eccentric cam	1	
F-3	10005991	送料偏心轮	Feed drive eccentric cam	1	S7/H
F-4	10010072	送料连杆	Connecting rod	1	
F-4	10006004	送料连杆	Connecting rod	1	S7/H
F-5	10010098	偏心轮盖板	Thrust cover	1	
F-5	10005992	偏心轮盖板	Thrust cover	1	S7/H
F-6	10010643	螺钉	Screw	2	
F-7	10010238	螺钉	Screw	1	
F-8	10013772	调节器轴套	Bearing support	1	
F-9	10026886	偏心销	Pin	1	
F-10	10051742	螺钉	Screw	2	
F-11	10010649	挡圈	Snap ring	2	
F-12	10008852	倒送料连杆	Feed adjust rod	1	
F-12	10037069	倒送料连杆	Feed adjust rod	1	S7/H
F-13	10008848	送料调节器	Feed regulator	1	
F-13	10027597	送料调节器	Feed regulator	1	S7/H
F-14	10010092	螺钉	Screw	2	
F-15	10010096	销	Pin	1	
F-16	10010076	送料曲柄	Feed rocker	1	
F-17	10013015	螺钉	Screw	1	
F-18	10013015	螺钉	Screw	1	
F-19	10010075	短摆动板	Short link	2	
F-20	10010068	长摆动板	Long link	2	
F-21	10010069	销	Pin	1	
F-22	10010071	螺钉	Screw	1	
F-23	10010091	螺钉	Screw	1	
F-24	10010102	左右销	Pin	1	
F-25	10010678	螺钉	Screw	2	
F-26	10010087	销	Pin	2	
F-27	10012775	摆动板座部件	Feed adjusting ASM.	1	
F-27	10035665	摆动板座部件	Feed adjusting ASM.	1	S7/H
F-28	10000000	螺钉	Screw	1	
F-29	10010282	复位板	Plate	1	
F-30	10010285	螺钉	Screw	2	
F-31	10050707	螺钉	Screw	1	
F-32	10050706	倒送料扳手挡圈	Snap ring	1	
F-33	10040404	螺钉	Screw	2	
F-34	20003459	倒送料扳手	Reverse feed control lever	1	
F-35	10014119	倒送料轴套	Bearing support	1	

F

送料分组件

Feed mechanism components

序号 Ref.No.	物料号 Part.No.	名称	Description	数量 Q'ty	备注 Remark
F-36	10008827	倒送料轴	Reverse feed shaft	1	
F-37	10010243	O形圈	O-ring	1	
F-38	10009008	螺钉	Screw	1	
F-39	10039853	倒送料曲柄	Reverse feed shaft	1	
F-39	10031548	倒送料曲柄	Reverse feed shaft	1	S7/H
F-40	10010287	倒送料销	Pin	1	
F-41	10051845	针距旋钮螺钉	Screw	1	
F-42	10051770	送料距旋钮	Feed dial	1	
F-43	10051578	旋钮止动盘组件		1	
F-44	10051619	销	Pin	1	
F-45	10013869	弹簧	Spring	1	
F-46	10008829	送料调节螺柱	Screw	1	
F-47	10051621	旋钮复位簧	Spring	1	
F-48	10010240	O形圈	O-ring	1	
F-49	10010099	螺钉	Screw	2	
F-50	10026545	送料牙	Feed dog	1	
F-50	10007322	送料牙	Feed dog	1	-5
F-50	10038413	送料牙	Feed dog	1	H
F-51	20000349	牙架部件	Feed bar ASM.	1	
F-52	10008842	牙架座	Feed bar driving crank	1	
F-53	10008824	牙架销	Pin	1	
F-54	10010090	挡圈	Snap ring	2	
F-55	10010902	垫圈	Washer	2	
F-56	10014116	送料轴套	Bearing support	2	
F-57	10010900	螺钉	Screw	2	
F-58	10010901	螺钉	Screw	2	
F-59	10042079	抬牙叉形曲柄组件	Lifting fork	1	
F-59	10043177	抬牙叉形曲柄组件	Lifting fork	1	S7/H
F-60	10008840	送布轴	Feed rocker shaft	1	
F-61	10008804	抬牙轴	Feed driving shaft	1	
F-62	10004430	弹簧	Spring	1	
F-62	10012991	弹簧	Spring	1	S7/H
F-63	10012796	复位簧	Spring	1	
F-63	10012990	复位簧	Spring	1	S7/H
F-64	10010235	拉簧固定板	Plate	1	
F-64	10012987	拉簧固定板	Plate	1	S7/H
F-65	10010095	螺钉	Screw	1	
F-66	10010086	抬牙后曲柄	Lifting rocker	1	
F-67	10004475	螺母	Nut	1	
F-68	10010542	挡圈	Thrust collar	2	
F-69	10005020	螺钉	Screw	2	





送料调节分组件

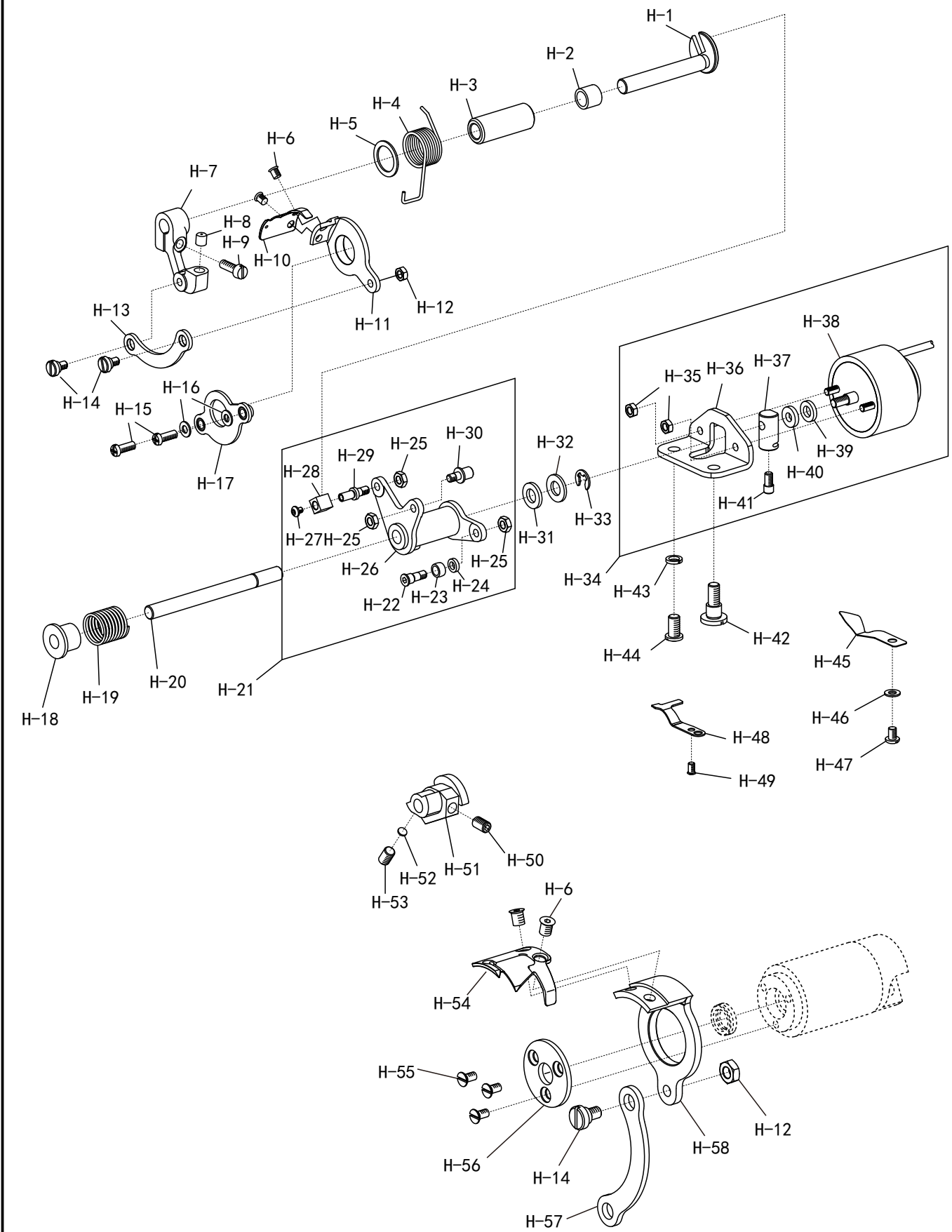
Feed regulating components

序号 Ref.No.	物料号 Part.No.	名称	Description	数量 Q'ty	备注 Remark
G-1	10008934	螺钉	Screw	1	
G-2	10011168	垫圈	Washer	1	
G-3	10041351	机头灯部件	Led lamp ASM.	1	
G-4	10012505	油泵连接螺柱	Screw	1	
G-5	10003281	挡圈	Snap ring	1	
G-6	10024748	挡圈	Snap ring	1	
G-7	10012985	螺母	Nut	2	
G-8	10012983	螺钉	Screw	1	
G-9	10012797	自动倒送料拉杆	Reverse feed connecting plate	1	
G-10	10012989	自动倒送料曲柄	Connecting arm ASM.	1	
G-11	10031416	倒送料驱动部件	Reverse feed magnet ASM.	1	
G-12	10012983	螺钉	Screw	1	
G-13	10012473	螺钉	Screw	2	
G-14	10013002	挡圈	Snap ring	1	-5/S7/H
G-15	10013001	油泵连接螺柱	Screw	1	-5/S7/H
G-16	10003281	挡圈	Snap ring	1	
G-17	10012989	自动倒送料曲柄	Connecting arm ASM.	1	
G-18	10037310	倒送料驱动部件	Reverse feed magnet ASM.	1	-5/S7/H
G-19	10012986	螺钉	Screw	1	-5/S7/H
G-20	10012473	螺钉	Screw	2	



剪线分组件

Thread trimmer components





剪线分组件

Thread trimmer components

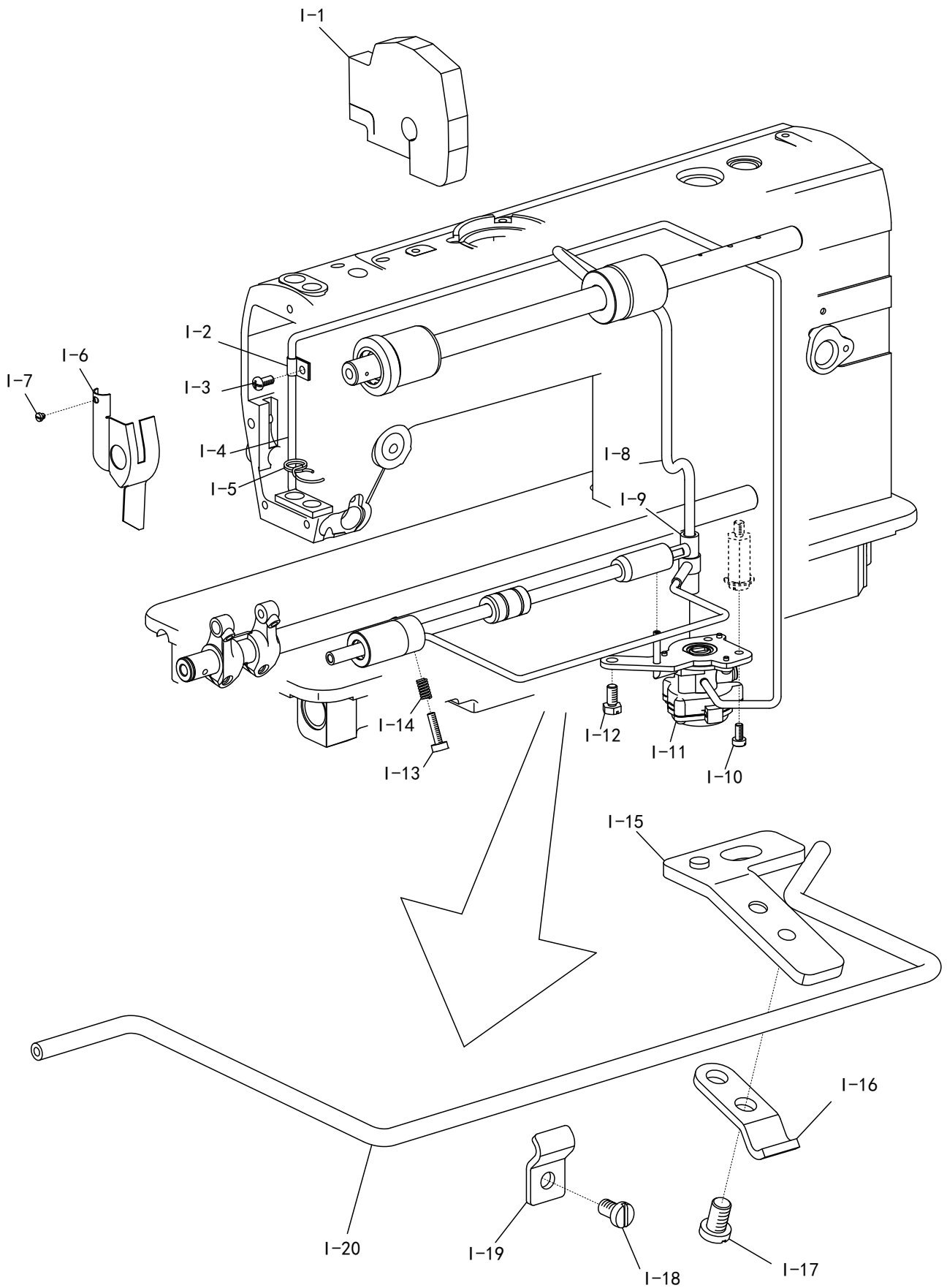
序号 Ref.No.	物料号 Part.No.	名称	Description	数量 Q'ty	备注 Remark
H-1	10008866	切线驱动曲柄轴	Trimming crank shaft	1	
H-2	10011630	曲柄轴短套	Short bushing	1	
H-3	10011630	切线轴套	Short bushing	1	
H-4	10011649	弹簧	Spring	1	
H-5	10008865	垫圈	Washer	1	
H-6	10011588	螺钉	Screw	2	
H-7	10011579	切线驱动曲柄	Trimming crank	1	
H-8	10011579	曲柄止动块	Block	1	
H-9	10008863	螺钉	Screw	1	
H-10	10011494	动刀	Round knife	1	
H-10	10030280	动刀	Round knife	1	-5
H-11	10004640	动刀架	Round knife bracket	1	
H-12	10011578	螺母	Nut	1	
H-13	10011577	刀轴连杆	Knife shaft crack rod	1	
H-14	10011514	螺钉	Screw	2	
H-15	10013541	螺钉	Screw	2	
H-16	10013154	垫圈	Washer	2	
H-17	10008856	刀架压板组件	Knife holder ASM.	1	
H-18	10014196	弹簧端盖	Spring cover	1	
H-19	10008812	弹簧	Spring	1	
H-20	10011697	切刀驱动轴	Trimming shaft	1	
H-21	10050266	消音塞	Washer	1	
H-22	10004707	螺钉	Screw	1	
H-23	10004651	滚柱	Roller bearing	1	
H-24	10025576	垫圈	Washer	1	
H-25	10011578	螺母	Nut	3	
H-26	10004648	切线凸轮曲柄	Screw	1	
H-27	10025577	螺钉	Screw	1	
H-28	10004703	凸轮曲柄滑块	Slide block	1	
H-29	10004704	销	Pin	1	
H-30	10004705	左曲柄滚柱	Pin	1	
H-31	10009654	垫圈	Snap ring	1	
H-32	10003031	垫圈	Washer	1	
H-33	10009654	挡圈	Snap ring	1	
H-34	10031414	剪线电磁铁组件	Thread trimmer solenoid ASM.	1	
H-35	10009471	螺母	Nut	2	
H-36	10008854	剪线电磁铁安装座	Solenoid base	1	
H-37	10011607	剪线电磁铁连接体	Solenoid connecting shaft	1	
H-38	10031415	剪线电磁铁	Thread trimmer solenoid	1	
H-39	10011606	垫圈	Washer	1	
H-40	10011845	垫圈	Washer	1	



剪线分组件

Thread trimmer components

序号 Ref.No.	物料号 Part.No.	名称	Description	数量 Q'ty	备注 Remark
H-41	10028999	螺钉	Screw	1	
H-42	10012467	螺钉	Screw	1	
H-43	10003077	垫圈	Washer	1	
H-44	10011605	螺钉	Screw	1	
H-45	10011584	分线器	Dispart	1	
H-45	10026784	分线器	Dispart	1	H
H-46	10013154	垫圈	Washer	1	
H-47	10014474	螺钉	Screw	1	
H-48	10011421	定刀	Fixed knife	1	
H-49	10011422	螺钉	Screw	1	
H-50	10013465	螺钉	Screw	1	
H-51	10010736	剪线凸轮	Thread trimmer cam	1	
H-52	10023739	剪线凸轮垫	Cam collar	1	
H-53	10013465	螺钉	Screw	1	
H-54	10026782	动刀	Round knife	1	H
H-55	10009626	螺钉	Screw	3	H
H-56	10013026	刀架压板	Knife holder	1	H
H-57	10031612	刀轴连杆	Knife shaft crack rod	1	H
H-58	10026783	动刀架	Round knife bracket	1	H



I 润滑分组件

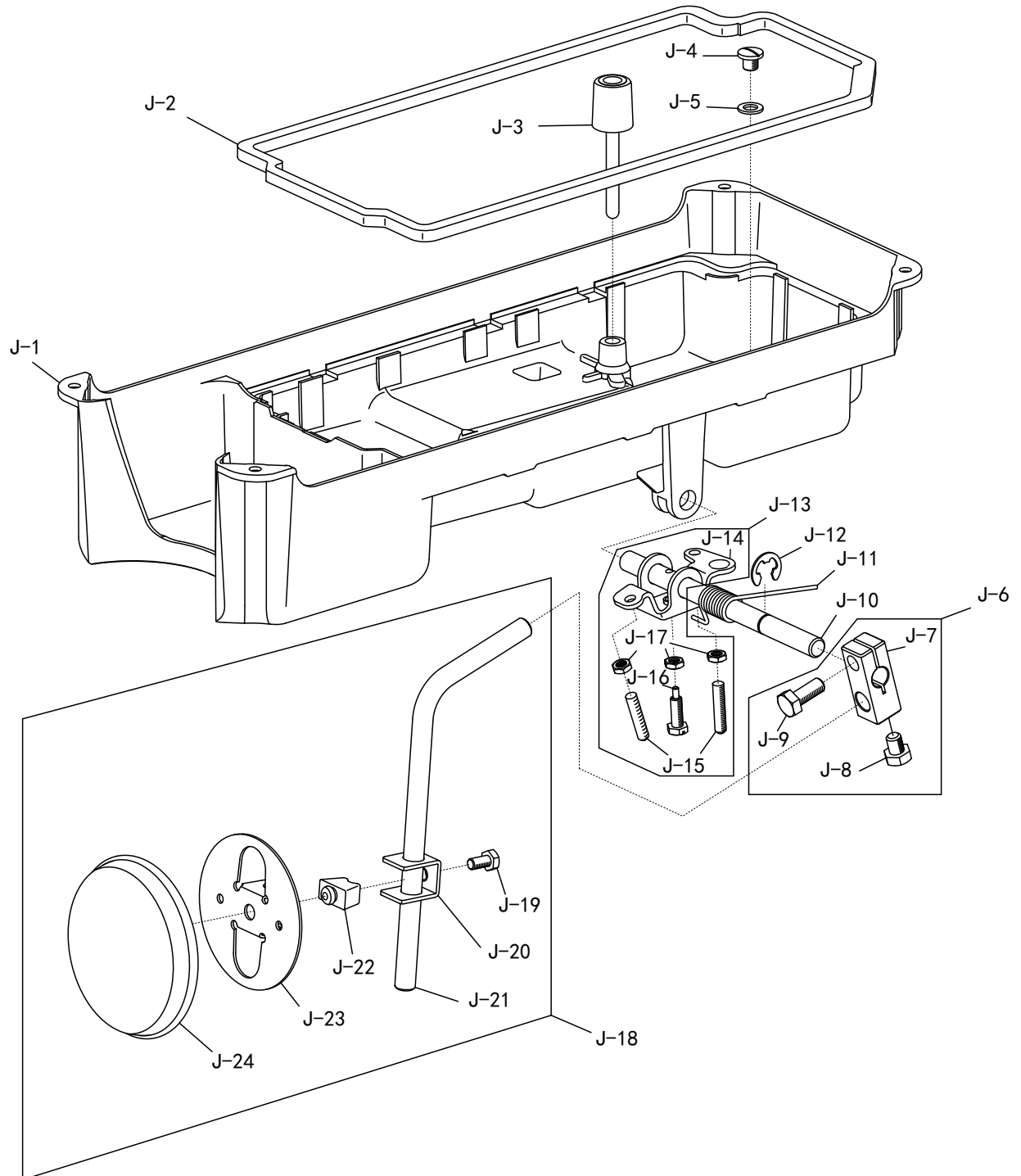
Lubrication components

序号 Ref.No.	物料号 Part.No.	名称	Description	数量 Q'ty	备注 Remark
I-1	10014197	挡油海绵	Foam rubber	1	
I-2	10010294	回油管夹	Oil felt preser	1	
I-3	10008934	螺钉	Screw	1	
I-4	10007795	油管	Tube	1	
I-5	10042077	回油毡夹	Oil felt preser	1	
I-6	10004065	面部防油板	Oil stoper	1	
I-7	10005558	螺钉	Screw	1	
I-8	10050666	上轴供油管	Main shaft oil tube	1	
I-9	10010340	供油管接头	Oil tube holder	1	
I-10	10010066	螺钉	Screw	1	
I-11	10008817	油泵部件	Oil pump	1	
I-12	10050422	螺钉	Screw	1	
I-13	10008831	螺钉	Screw	1	
I-14	10008806	弹簧	Spring	1	
I-15	10012443	油管支撑板	Plate	1	-5/S7/H
I-16	10012445	油管压板	Tube holder	1	-5/S7/H
I-17	10010074	螺钉	Screw	1	-5/S7/H
I-18	10013269	螺钉	Screw	1	
I-19	10050424	油管压板	Tube holder	1	
I-20	10008807	旋梭供油管	Oil tube	1	

J

油盘、膝抬压脚分组件

Presser foot components of oil plate knee lift

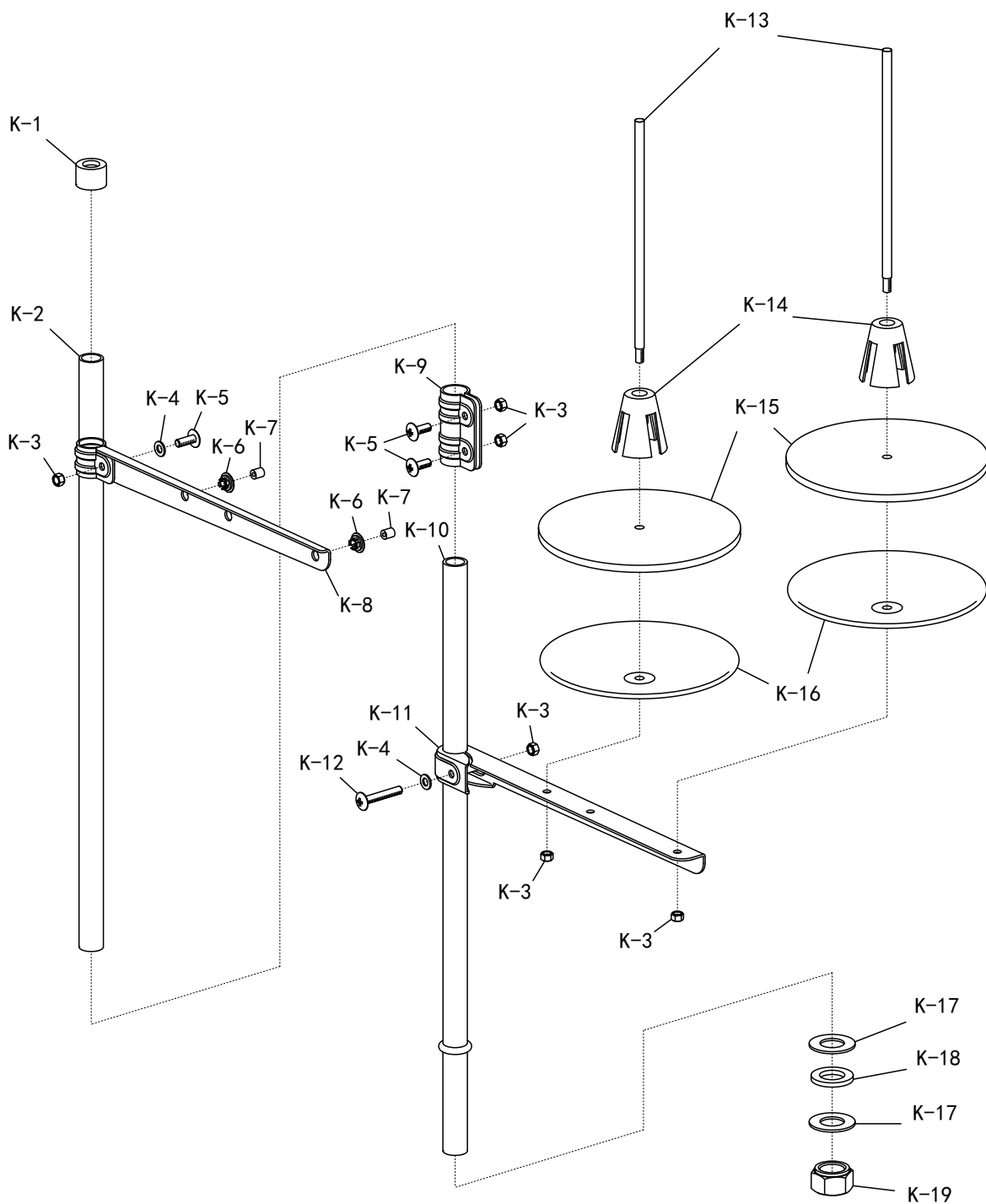


J

油盘、膝抬压脚分组件

Presser foot components of oil plate knee lift

序 号 Ref.No.	物料号 Part.No.	名 称	Description	数量 Q'ty	备 注 Remark
J-1	10008313	油盘	Oil reservoir	1	
J-2	10014194	油盘垫	Oil reservoir gasket	1	
J-3	10009984	抬压脚顶销	Pin	1	
J-4	10009991	螺钉	Screw	1	
J-5	10009988	垫圈	Rubber ring	1	
J-6	10002562	操纵杆接头组件	Bracket ASM.	1	
J-7	10003896	操纵杆接头	Bracket	1	
J-8	10002610	螺钉	Screw	1	
J-9	10002613	螺钉	Screw	1	
J-10	10003899	抬压脚轴	Knee pressing shaft	1	
J-11	10003893	弹簧	Spring	1	
J-12	10002559	挡圈	Snap ring	1	
J-13	10002563	抬压脚双向曲柄部件	Crank ASM.	1	
J-14	10009987	抬压脚双向曲柄	Crank	1	
J-15	10003895	螺钉	Screw	2	
J-16	10003898	螺钉	Screw	1	
J-17	10003890	螺母	Nut	3	
J-18	10009985	操纵杆部件	Knee pressing plate ASM.	1	
J-19	10003894	螺钉	Screw	1	
J-20	10003897	操纵杆接头	Knee pressing plate holder	1	
J-21	10003901	操纵杆	Knee pressing plate rod	1	
J-22	10003900	操纵杆垫	Knee pressing plate rubber	1	
J-23	10003891	操纵板	Knee pressing plate	1	
J-24	10004223	操纵板软垫	Knee pressing cover	1	

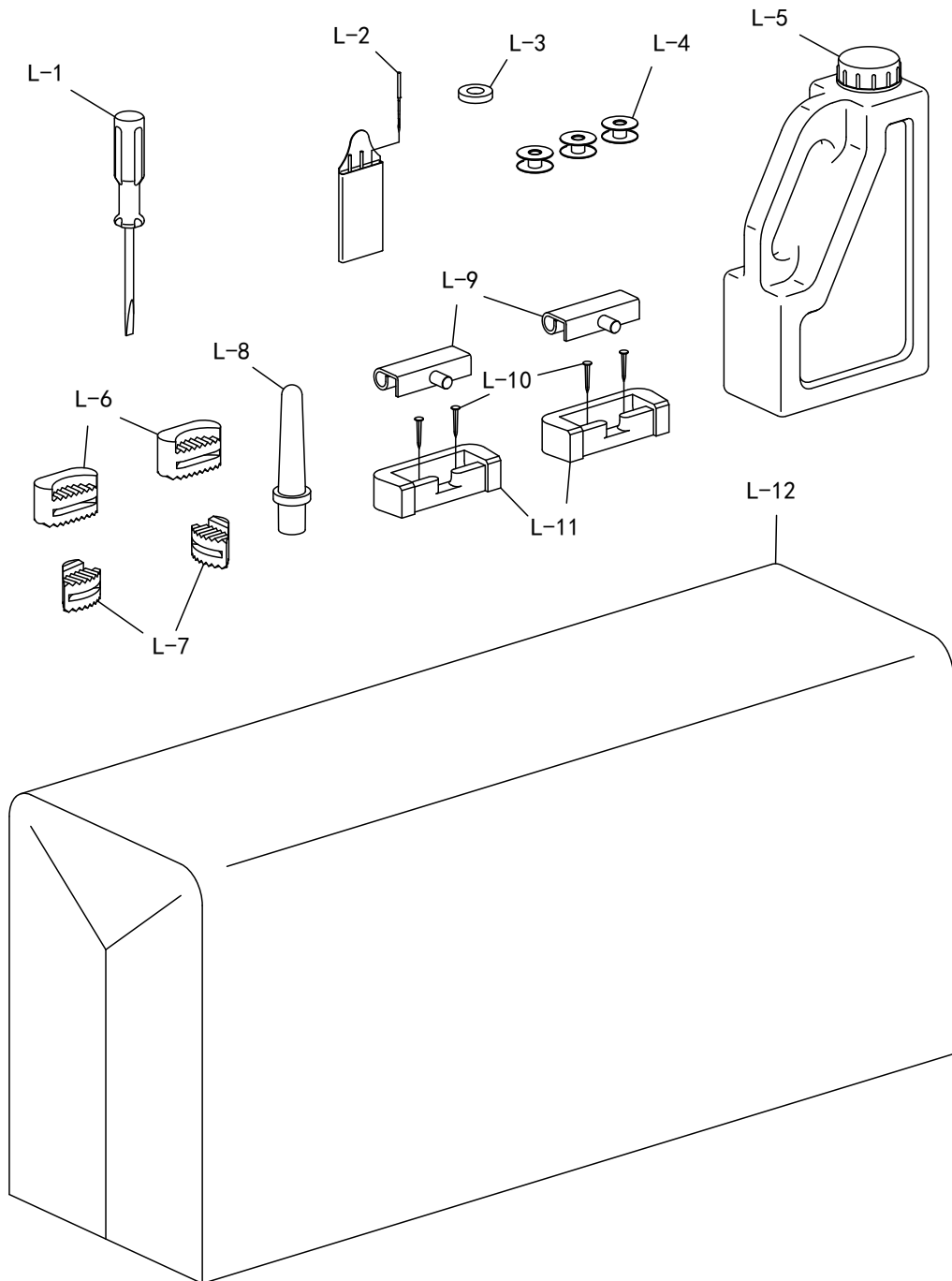


K

过线架分组件

Components of thread-running stand

序号 Ref.No.	物料号 Part.No.	名称	Description	数量 Q'ty	备注 Remark
K-1	10004282	撑管套	Column cap	1	
K-2	10004293	线架上撑管	Column pipe (upper)	1	
K-3	10002953	螺母	Nut	6	
K-4	10003022	垫圈	Washer	2	
K-5	10003301	螺钉	Screw	3	
K-6	10004285	过线管套	Thread guide bushing	2	
K-7	10004289	过线管	Thread guide pipe	2	
K-8	10004298	上过线架	Thread hanger (upper)	1	
K-9	10004286	撑管夹	Column pipe connector	1	
K-10	10004291	线架下撑管	Column pipe (lower)	1	
K-11	10004284	下过线架	Thread hanger (lower)	1	
K-12	10003312	螺钉	Screw	1	
K-13	10004288	线轴	Spool pin	2	
K-14	10004287	线盘塑料压块	Spool cushion	2	
K-15	10004281	线盘软垫	Spool mat	2	
K-16	10004299	线盘	Spool seat disc	2	
K-17	10004290	垫圈	Washer	2	
K-18	10004295	垫圈	Washer	1	
K-19	10002985	螺母	Nut	1	
				1	

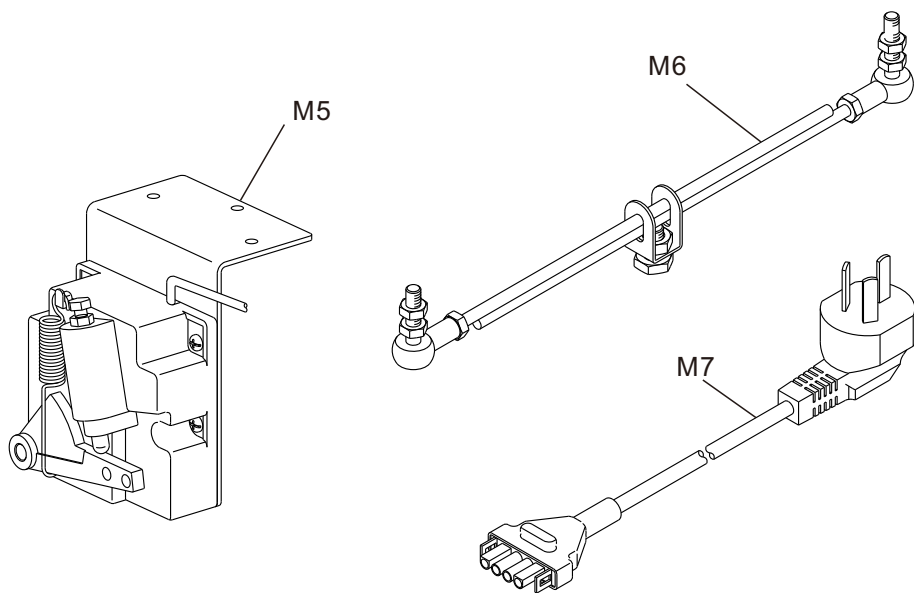
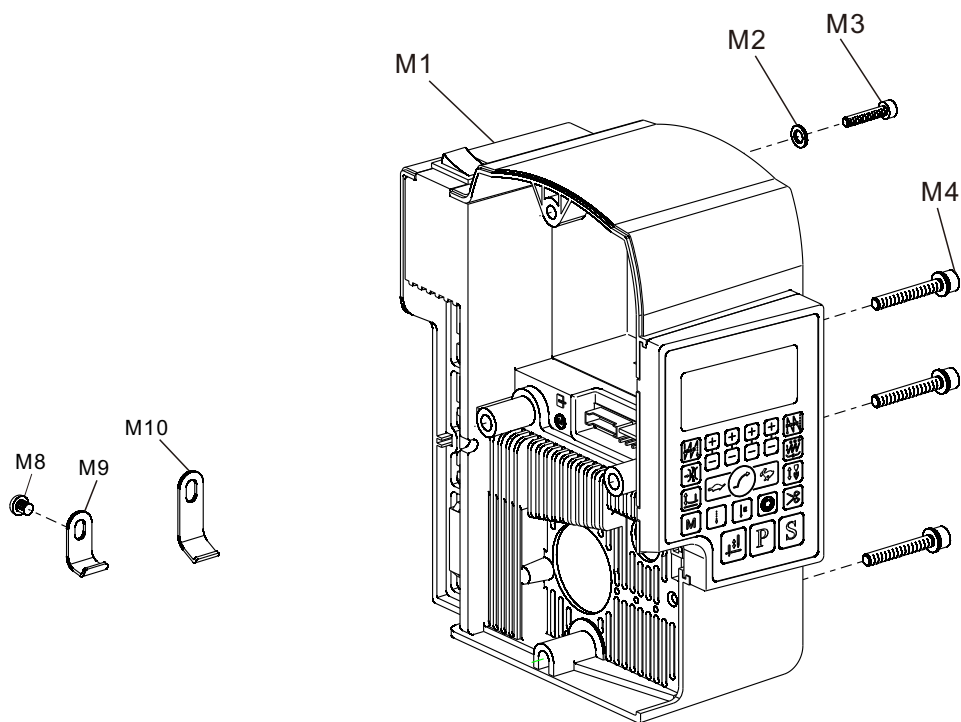




附件

Accessories

序号 Ref.No.	物料号 Part.No.	名称	Description	数量 Q'ty	备注 Remark
L-1	10010995	中螺丝刀	Screw driver	1	
L-2	10034917	机针	Needle	3	
L-2	10034916	机针	Needle	3	-5/H
L-3	10003892	油盘磁铁	Oil reservoir magnet	1	
L-4	10025484	梭芯	Screw	3	
L-4	10007138	梭芯	Screw	3	H
L-5	10004455	油箱部件	Oil bottle with oil	1	
L-6	10009986	油盘支座	Oil reservoir seat	2	
L-7	10009993	油盘座垫	Oil reservoir cushion	2	
L-8	10050425	机头支柱	Frame support bar	1	
L-9	10004466	机头连接钩部件	Head connecting hook	2	
L-10	10003889	机头连接钩座钉	Nail	4	
L-11	10011041	机头连接钩座	Head connecting hook socket	2	
L-12	10008849	机头罩	Head cover	1	



M

电控分组件

Drive-by-wire Components

序号 Ref.No.	物料号 Part.No.	名称	Description	数量 Q'ty	备注 Remark
M-1	10041350	电控箱	Control box	1	(01)
M-1	10042054	电控箱	Control box	1	-5(01)
M-1	10049888	电控箱	Control box	1	-S7(01)
M-1	10049411	电控箱	Control box	1	-5-S7/H(01)
M-1	10047631	电控箱	Control box	1	(02)
M-1	10053592	电控箱	Control box	1	-5(02)
M-1	10054722	电控箱	Control box	1	-S7(02)
M-1	10054383	电控箱	Control box	1	-5-S7/H(02)
M-2	10006115	垫圈	Washer	1	
M-3	10012080	螺钉	SCREW	1	
M-4	10006157	螺钉	SCREW	3	01
M-4	10049837	螺钉	SCREW	3	02
M-5	10031424	踏板组件	Pedal unit ASM.	1	02
M-6	10002417	踏板连杆组件	Pedal control rod ASM.	1	02
M-7	10031423	国标电源线	Cable	1	02
M-8	10010899	螺钉	SCREW	1	
M-9	10035172	电线压板	Cord holder	2	
M-10	10031556	长电线夹	Cord holder	1	



浙江中捷缝纫科技有限公司
ZOJE SEWING MACHINE CO., LTD.

地址：浙江省玉环县大麦屿开发区
Add: damaiyu Development Zone, Yuhuanxian, Zhejiang 317604, China
国内营销中心：Domestic Business Center
Tel: 0576-87338345 87338215 Fax: 0576-87338222
国际营销中心：International Business Center
Tel: +86-576-87333222 87338299 Fax: +86-576-87332702
www.zoje.com E-mail: sales@zoje.com