

十字钉扣机 零件手册

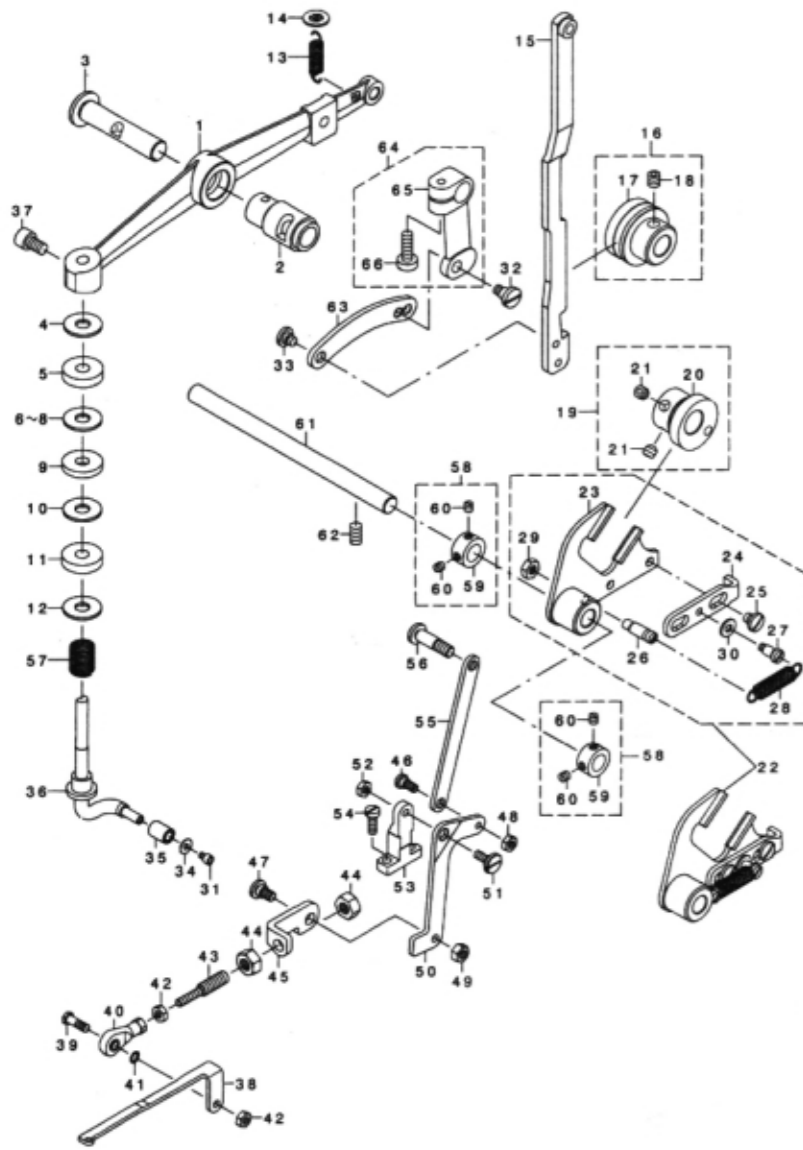
ZJ1377

CROSS THE NAILCATCHER MACHINE PARTS BOOK



6. BUTTON CLAMP LIFTER COMPONENTS

引き上げ関係



REF. NO. NOTE PART NO. DESCRIPTION

Table listing parts for button clamp lifter components, including part numbers, descriptions, and quantities.

7. NEEDLE DRIVING PULLEY SHAFT COMPONENTS

駆動軸関係

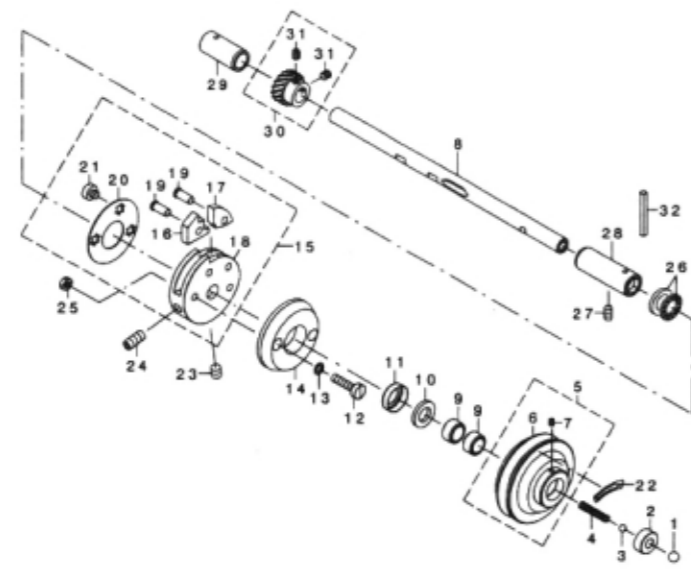


Table listing parts for needle driving pulley shaft components, including part numbers, descriptions, and quantities.

9. STOP MOTION MECAHNISM COMPONENTS

遮断装置関係

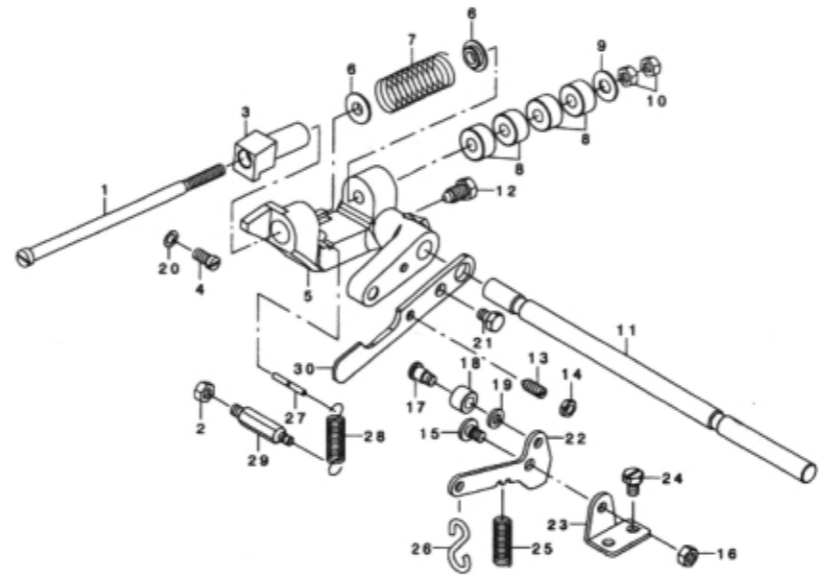
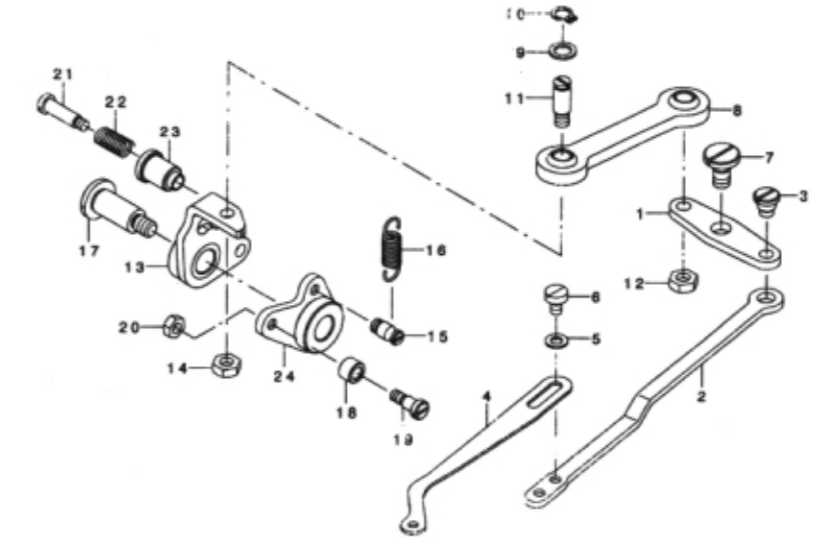


Table listing parts for stop motion mechanism components, including part numbers, descriptions, and quantities.

11. THREAD BIND NOTCH COMPONENTS (FOR 1 3 7 7)

糸結び関係 (1 3 7 7用)

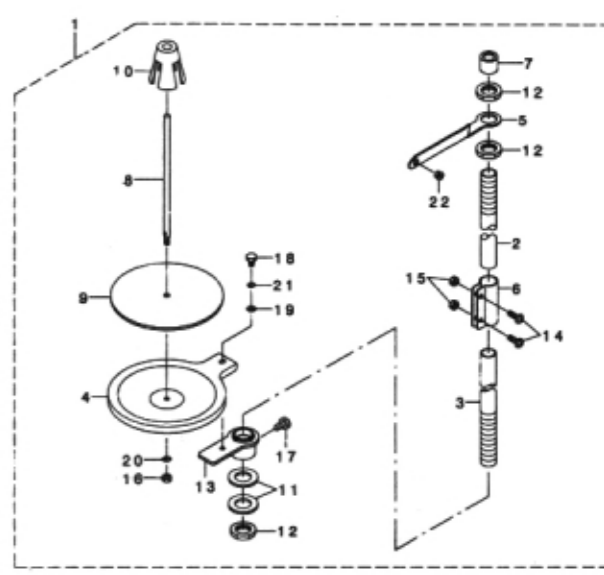


REF. NO. NOTE PART NO. DESCRIPTION

Table listing parts for thread bind notch components, including part numbers, descriptions, and quantities.

12. THREAD STAND COMPONENTS

糸立装置関係

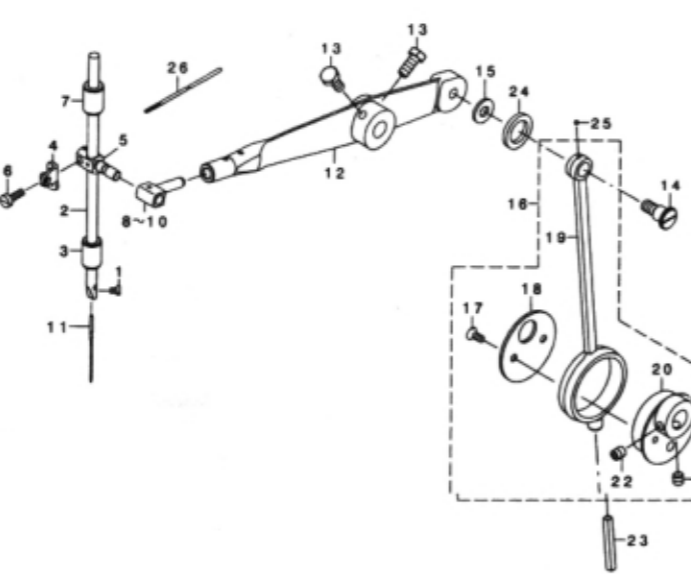


REF. NO. NOTE PART NO. DESCRIPTION

Table listing parts for thread stand components, including part numbers, descriptions, and quantities.

8. NEEDLE BAR DRIVING MECHANISM COMPONENTS

針棒関係

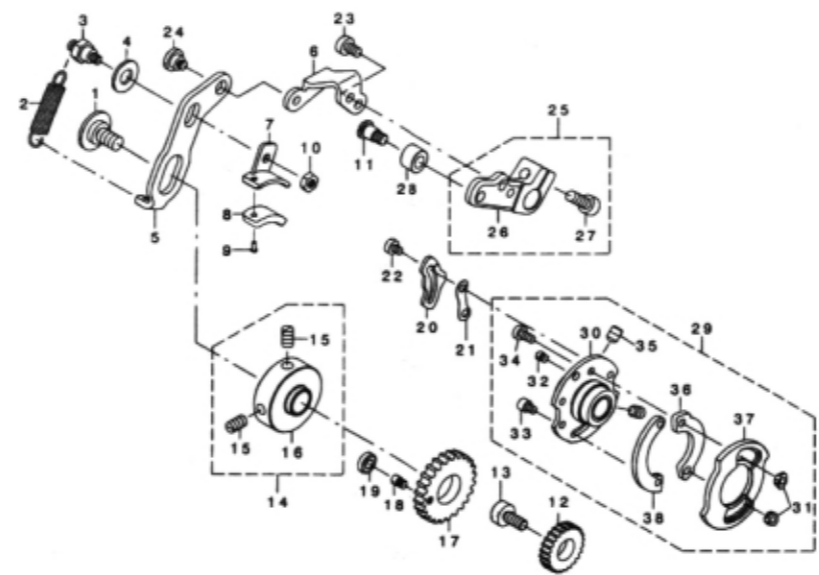


REF. NO. NOTE PART NO. DESCRIPTION

Table listing parts for needle bar driving mechanism components, including part numbers, descriptions, and quantities.

10. STITCH SELECTING PARTS COMPONENTS

針数調節関係

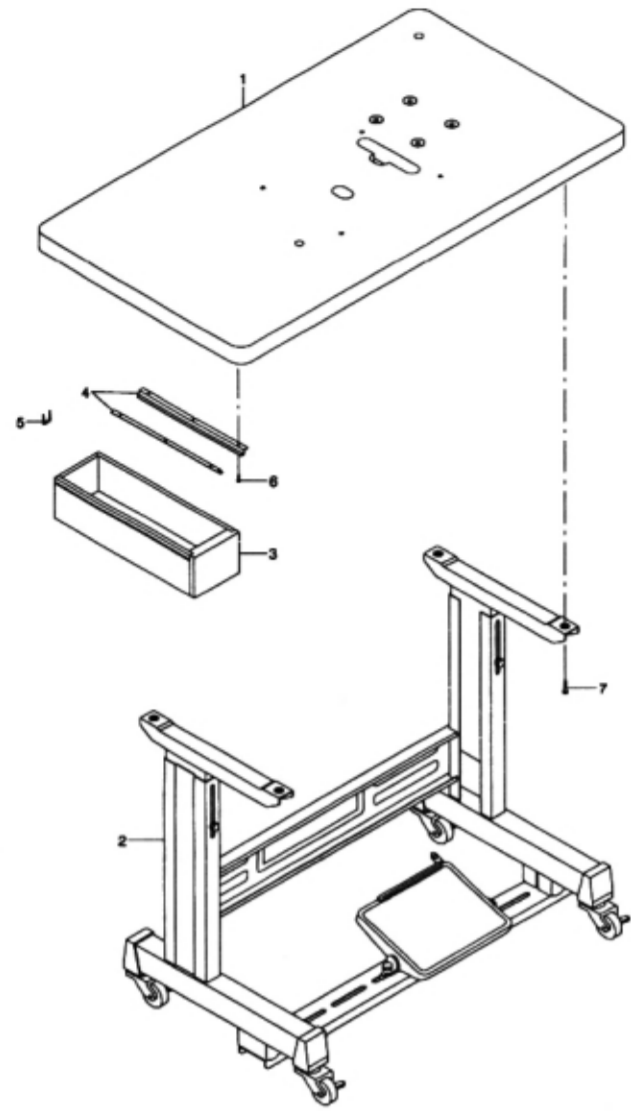


REF. NO. NOTE PART NO. DESCRIPTION

Table listing parts for stitch selecting parts components, including part numbers, descriptions, and quantities.

13. TABLE & STAND COMPONENTS

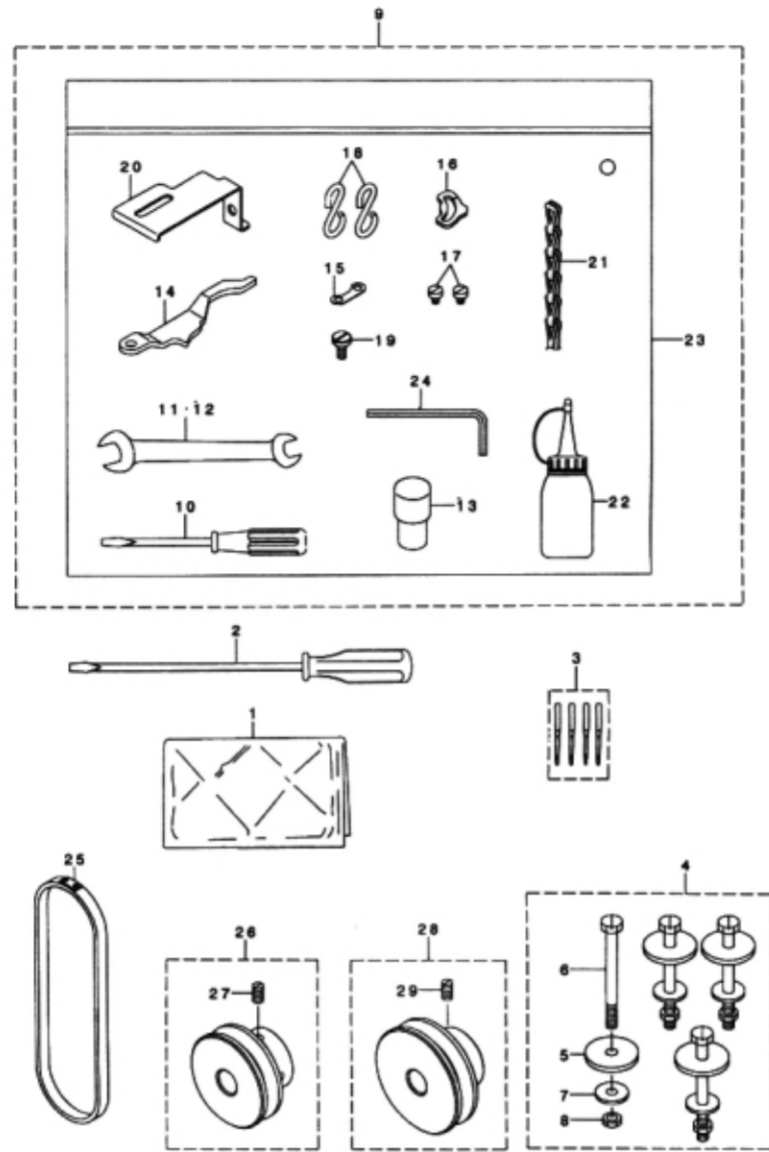
脚卓関係



REF. NO.	NOTE	PART NO.	DESCRIPTION	QTY.
1		400-40971	TABLE	1
2		111-59365	T STAND JUNCTION	1
3		111-56108	DRAWER	1
4		111-56207	DRAWER SUPPORT	2
5		D8204-556-200	DRAWER STOPPER	1
6		SK-3311600-SE	WOOD SCREW D=3.1 L=16	6
7		SK-3483200-SE	WOOD SCREW D=4.8 L=32	4

14. ACCESSORIE PARTS COMPONENTS

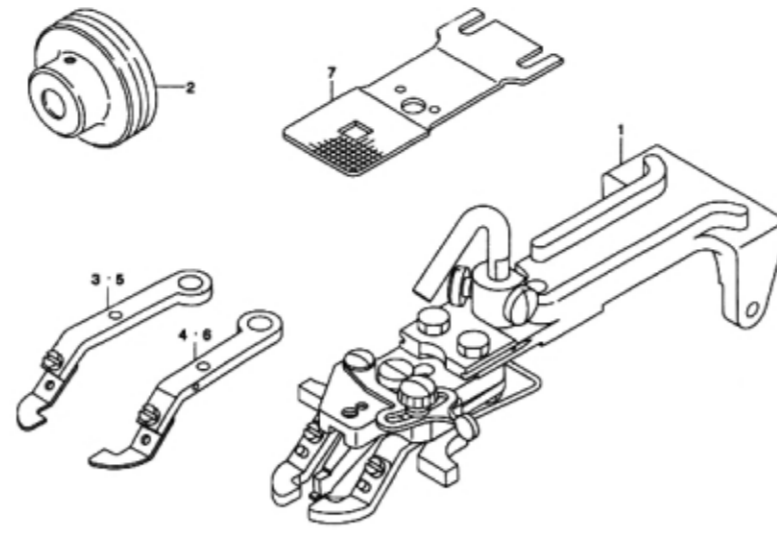
付属品関係



REF. NO.	NOTE	PART NO.	DESCRIPTION	QTY.
1		228-33303	VINYL COVER	1
2		228-33006	SCREW DRIVER, LARGE	1
3		WTQ-100B1602	NEEDLE TQX1 #16-2	1
4		400-41072	BASE SCREW SET	1
5		400-38174	RUBBER CUSHION	(4)
6		SS-8166830-SP	SCREW 15/64-28 L=68	(4)
7		WP-0612066-SD	WASHER 6.1X18.5X2	(4)
8		NS-6150310-SP	NT 15/64-28	(4)
9		400-41073	ACCESSORIE BAG ASM.	1
10		228-33106	SCREW DRIVER, MIDDLE	(1)
11		280-34702	WRENCH	(1)
12		280-34801	WRENCH	(1)
13		400-32837	FRAME SUPPORT BAR	(1)
14		400-38458	STITCH NUMBER LEVER	(1)
15		280-30809	SPACER	(1)
16		400-40946	THREAD WITH NOTCH	(1)
17		SW-6040660-TP	SCREW 8X10.5 L=4.5	(2)
18		131-60304	S SHAPER HOOK	(2)
19		SD-0600346-TP	SHOULDER SCREW D=6 H=3.4	(1)
20		400-38206	NEEDLE BAR GUARD	(1)
21		280-37303	CHAIN	(1)
22		J1067-000-000	OILER	(1)
23		228-32800	ACCESSORIE BAG	(1)
24		400-55581	HEXAGONAL WRENCH KEY	(1)
25		WTJ-0800000C	V ROPE BOWE (LACING)	1
26		SW-38228	MOTOR PULLEY 50HZ_1300RPM_ASM.	1
27		SW-8061010-TP	SCREW	(2)
28		400-38285	MOTOR PULLEY 50HZ_1300RPM_ASM.	1
29		SW-8061010-TP	SCREW	(2)

15. SPECIAL ORDER SPEC COMPONENTS

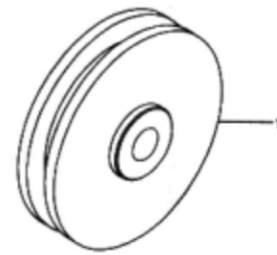
特別仕様関係



REF. NO.	NOTE	PART NO.	DESCRIPTION	QTY.
1		MAZ-201010A0	PICK-UP DEVICE ASM. L BUTTON	1
2		400-38290	MOTOR PULLEY 50HZ_1500RPM_ASM.	1
3		D2556-372-0AA	BUTTON CLAMP JAW LEVER ASM., L	1
4		D2556-372-0AA	BUTTON CLAMP JAW LEVER ASM., R	1
5		D2556-372-CAA	BUTTON CLAMP JAW LEVER ASM., L	1
6		D2556-372-CAA	BUTTON CLAMP JAW LEVER ASM., R	1
7		D2529-373-C00-A	FEED PLATE, LARGE BUTTON	1

16. SUBCLASS COMPONENTS (FOR 1373-11)

サブクラス関係 (1373-11用)



REF. NO.	NOTE	PART NO.	DESCRIPTION	QTY.
1		400-41032	LENGTHWISE_FEED_CAM(X)	1