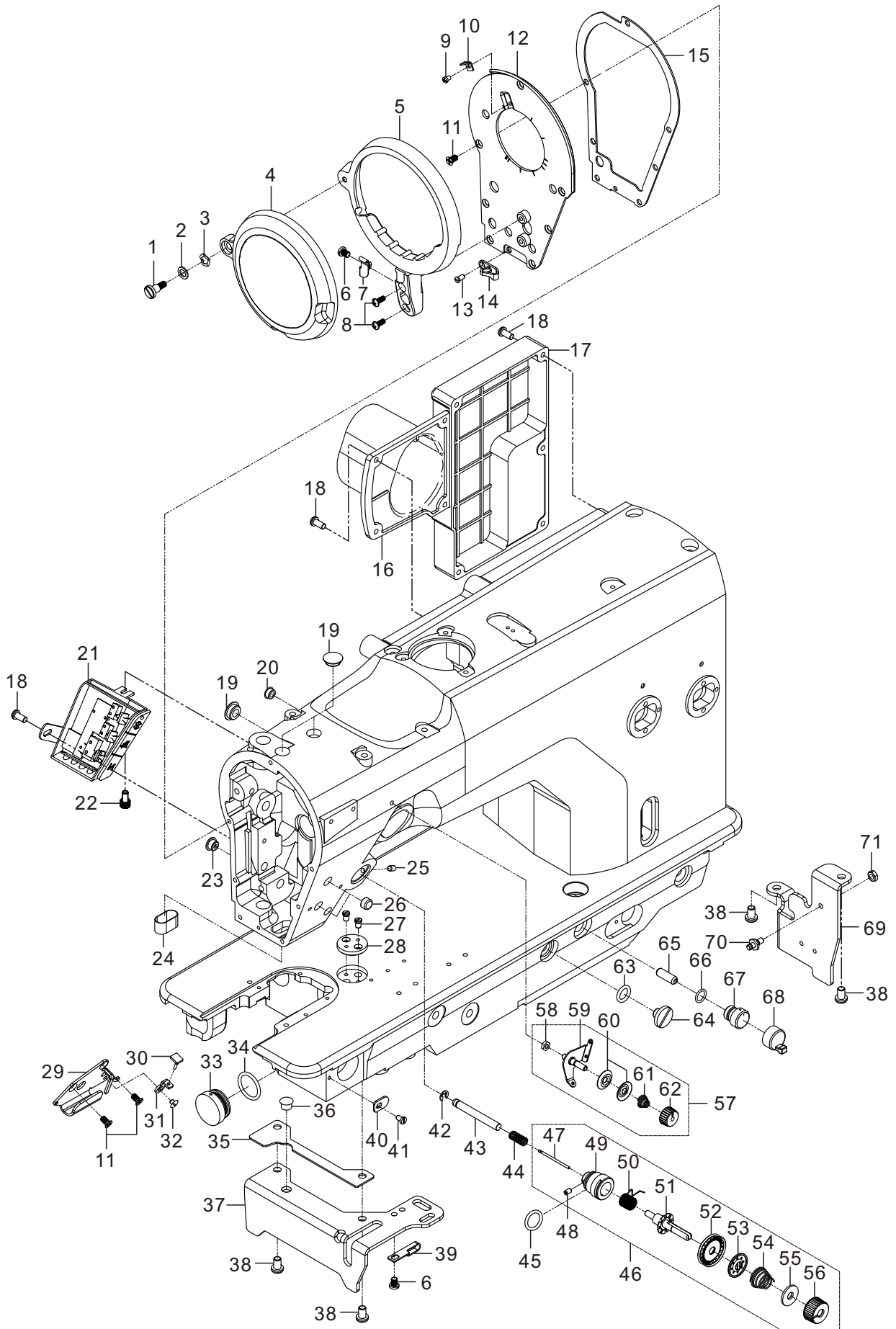


1. 机体部件 I

FRAME&MISCELLANEOUS COVER COMPONENTS I

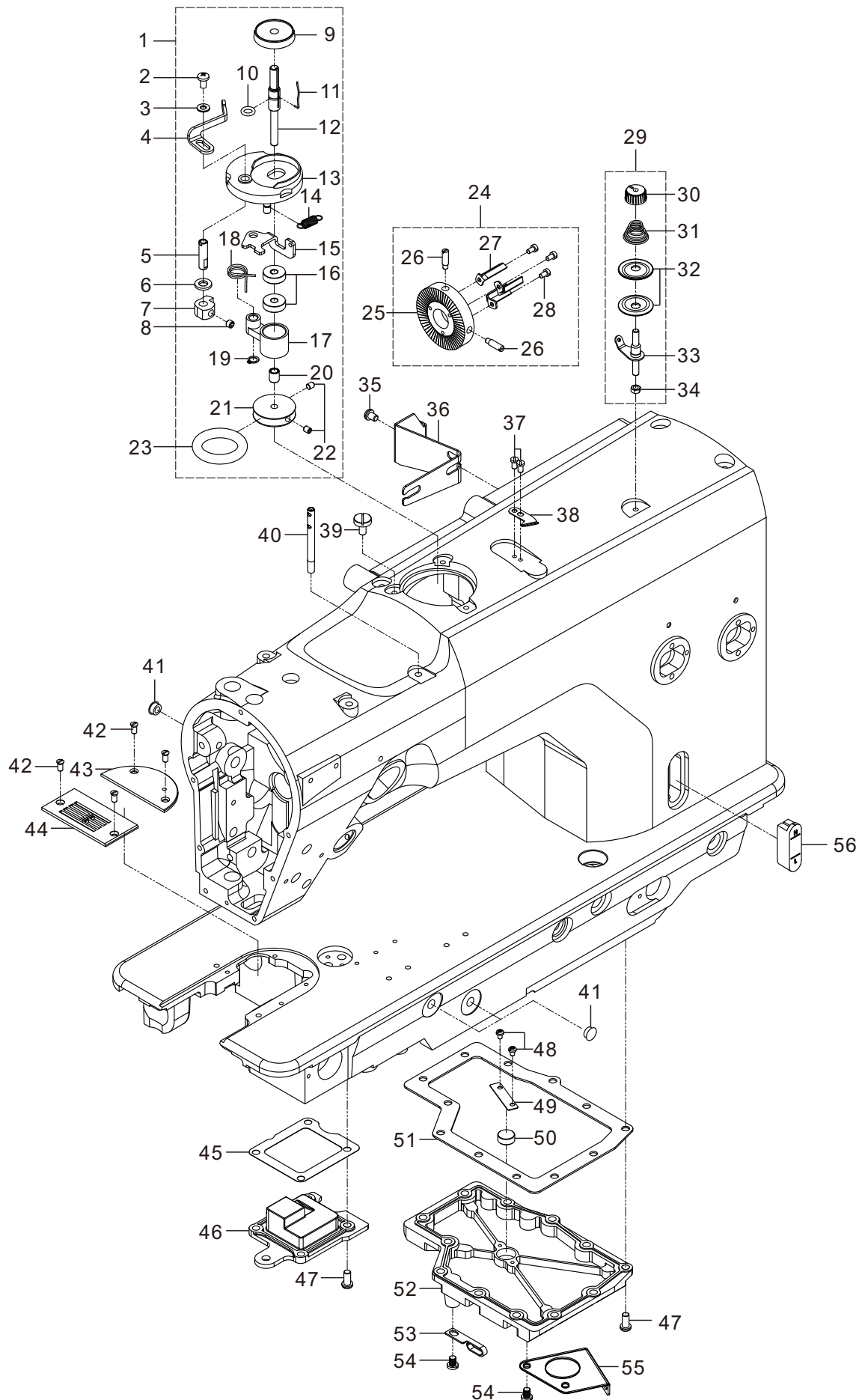


1. 机体部件 I				
FRAME&MISCELLANEOUS COVER COMPONENTS I				
序号 NO.	图号 Part No.	描述	Description	数量
1	10000107	螺钉	HINGE SCREW	1
2	10000106	护盖罩窗弹簧垫	WAVED WASHER	1
3	10000109	垫片	WASHER	1
4	10000190	挑线盘防护罩组件	BALANCE COVER	1
5	20003377	挑线盘防护盖	BALANCE COVER BASE	1
6	10000098	螺钉	SCREW	2
7	10000083	护盖弹簧片	SPRING	1
8	10000099	螺钉	SCREW	2
9	10009743	螺钉	SCREW	1
10	10000108	面板刀片	TAKE-UP THREAD CUTTER	1
11	10000101	螺钉	SCREW	9
12	10000122	面板组件	FACE PLATE COMPL.	1
13	10009890	螺钉	SCREW	1
14	10000102	导线架	SPRING GUARD	1
15	10000103	面板垫	FACE PLATE PACKING	1
16	20019939	步进电机罩	NEEDLE VIBRATOR UNIT COVER	1
17	20023126	后盖板		1
18	10001281	螺钉	SCREW	10
19	10011099	橡胶塞	RUBBER PLUG	3
20	10000091	左侧小油塞	RUBBER PLUG	1
21	10054550	机头灯组件		1
22	10011410	螺钉		1
23	10000090	摆动架销油塞	RUBBER PLUG	1
24	10000089	摆动架槽框	ARM OIL SHIELD	1
25	10002434	螺钉	SCREW	1
26	10000086	油塞	DRIVING STOPPER RUBBER	2
27	10004374	螺钉	SCREW	2
28	10004373	限位挡板	RULER STOP SEAT	1
29	10000084	过线板	BALANCE THREAD GUIDE	1
30	10000645	挑线簧定位橡胶	RUBBER STOPPER	1
31	10000104	挑线簧限位板	SPRING GUARD	1
32	10021329	螺钉	SCREW	1
33	10000095	旋梭箱铝塞	GEAR BOX CAP	1
34	10000189	铝塞O形圈	RUBBER RING	1
35	10000080	前支脚垫	BED SUPPORT PLATE PACKING	1
36	10000076	前支脚油塞	RUBBER PLUG	1
37	10000078	前支脚	BED SUPPORT PLATE A	1
38	10000077	螺钉	SCREW	4
39	10000082	前支脚油线夹	OIL RETURN TUBE HOLDER	1
40	10037916	轴承固定板	BEAR PRESSER	1
41	10000097	螺钉	SCREW	1
42	10009653	挡圈	E-RING	1
43	10000105	松线杆	THREAD RELEASE AUXILIARY PIN	1
44	10000087	松线杆复位弹簧	THREAD RELEASE PIN SPRING	1
45	10000088	夹线器O形圈	RUBBER RING	1
46	10000657	夹线器组件	THREAD TENSION ASM.	1
47	10000660	松线钉	THREAD RELEASE PIN	1
48	10004200	螺钉	SCREW	1

49	10000120	夹线器座	THREAD TENSION ROD BASE ASM.	1
50	10000115	挑线簧	TAKE-UP SPRING	1
51	10000123	螺钉	THREAD TENSION ROD COMPL.	1
52	10000154	过线盘焊合	THREAD TENSION DISK COMPL.	1
53	10000116	松线板	TENSION DISC HOLDER	1
54	10000659	夹线簧	TENSION SPRING	1
55	10004199	夹线制动板	ROTATION STOPPER	1
56	10012981	螺母	THREAD TENSION NUT	1
57	10000131	中过线器组件	PRE-TENSION CONTROLLER ASM.	1
58	10014367	螺母	NUT	1
59	10000145	中过线板组件		1
60	10004096	上夹线盘	THREAD TENSION DISK	2
61	10000156	夹线簧	TENSION SPRING	1
62	10004503	螺母	THREAD TENSION NUT	1
63	10000079	齿轮箱密封O形圈	RUBBER RING	1
64	10000075	螺钉	SCREW	1
65	10021559	销	CABLE BAND	1
66	10012139	O形圈	RUBBER RING	1
67	10002483	透气阀	AIR-DISCHARGING	1
68	10008771	橡胶盖	ARD-DISCHARGING CAP	1
69	10000081	后支脚	BED SUPPORT PLATE B	1
70	10000110	螺钉	SCREW	1
71	10000100	螺母	NUT	1

2. 机体部件 II

FRAME&MISCELLANEOUS COVER COMPONENTS II

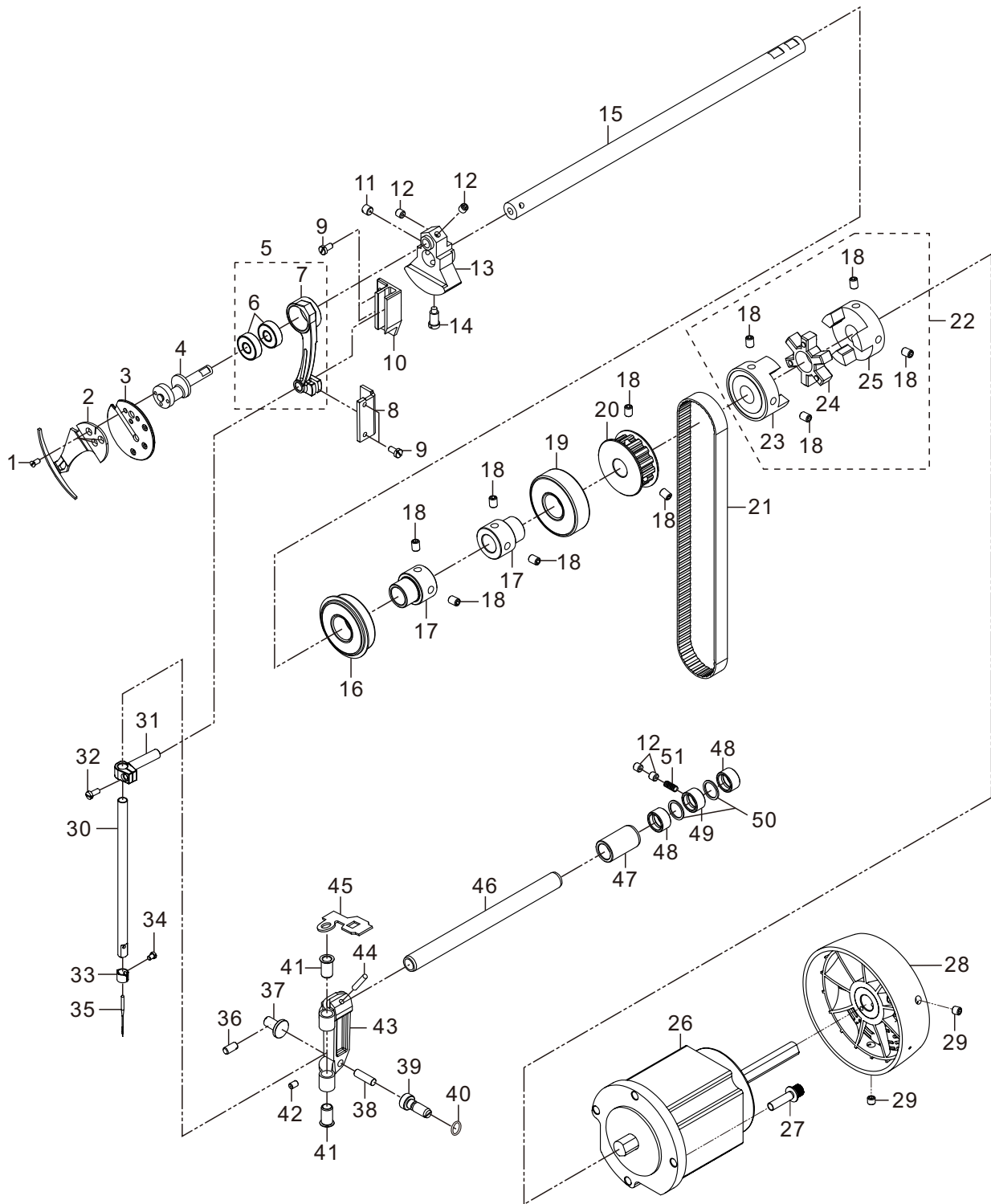


2. 机体部件 II				
FRAME&MISCELLANEOUS COVER COMPONENTS II				
序号 NO.	图号 Part No.	描述	Description	数量
1	10053401	绕线器	BOBBIN DEVICE ASM.	1
2	10009455	螺钉	SCREW	1
3	10003122	垫圈	WASHER	1
4	10039317	手柄	BOBBIN LEVER	1
5	10027396	定位块轴		1
6	10031170	垫圈	WASHER	1
7	10027395	绕线定位块		1
8	10012014	螺钉	SCREW	1
9	10027390	绕线轴垫	CUSHION	1
10	10027399	O型圈	RUBBER RING	1
11	10031058	绕线器芯	LATCH SPRING	1
12	10031088	绕线轴	BOBBIN WINDER SHAFT	1
13	10031087	绕线座组件		1
14	10027394	拉簧	SPRING	1
15	10027391	控制板	ASJUSTING PLATE	1
16	10003517	轴承	BEARRING	2
17	10027388	摆动连杆		1
18	10038225	扭簧	SPRING	1
19	10003278	挡圈		1
20	10035661	轴套		1
21	10027392	绕线轮		1
22	10002896	螺钉	SCREW	2
23	10008773	橡胶轮	RING	1
24	20000069	绕线器主动轮组件	BOBBIN DRIVING WHEEL ASM.	1
25	10000172	绕线主动轮	BOBBIN DRIVING WHEEL	1
26	10011223	螺钉	SCREW	2
27	10000153	主动轮支脚	BOBBIN DRIVING WHEEL BLADE	3
28	10009597	螺钉	SCREW	3
29	10013064	绕线夹线器组件	BOBBIN THREAD TENSION ASM.	1
30	10004390	塑料夹线螺母	THREAD TENSION NUT	1
31	10004391	弹簧	THREAD TENSION SPRING	1
32	10004393	夹线板	BOBBIN WINDER TENSION DISC	2
33	10004504	中过线板组件	BOBBIN THREAD TENSION ROD ASM.	1
34	10004507	螺母	NUT	1
35	10000148	螺钉	SCREW	1
36	10000146	油线架	HEAD LUBRICATION PIPE STOPPER	1
37	10000164	螺钉	SCREW	2
38	10011149	绕线切刀	THREAD CUTTER	1
39	10000149	绕线器螺钉	SCREW	3
40	10000167	两眼过线柱	SAFETY SWITCH ARM	1
41	10000091	左侧小油塞	RUBBER PLUG	3
42	10009890	螺钉	SCREW	4
43	10000165	内盖板	BED PLATE	1
44	10000166	针板	NEEDLE PLATE	1
45	10000168	旋梭齿轮箱盖垫	GEAR BOX (SMALL) PACKING	1
46	10000125	旋梭齿轮箱盖	GEAR BOX (SMALL) COVER	1
47	10001281	螺钉	SCREW	16
48	10000040	螺钉	SCREW	2

49	10001242	垫板	SUBPLATE	1
50	10001096	磁铁	MAGNET	1
51	10000127	油箱盖垫	GEAR BOX (LARGE) PACKING	1
52	10000126	油箱盖	GEAR BOX (LARGE) COVER	1
53	10000082	前支脚油线夹	LUBRICATING OIL WICK STOPPER	1
54	10000098	螺钉	SCREW	2
55	10000169	油箱大油线架	PIPE GUIDE PLATE	1
56	10008772	油标窗	OIL SIGHT WINDOW	1

3.挑线刺布部件

MAIN SHAFT&THREAD TAKE-UP&NEEDLE BAR COMPONENTS

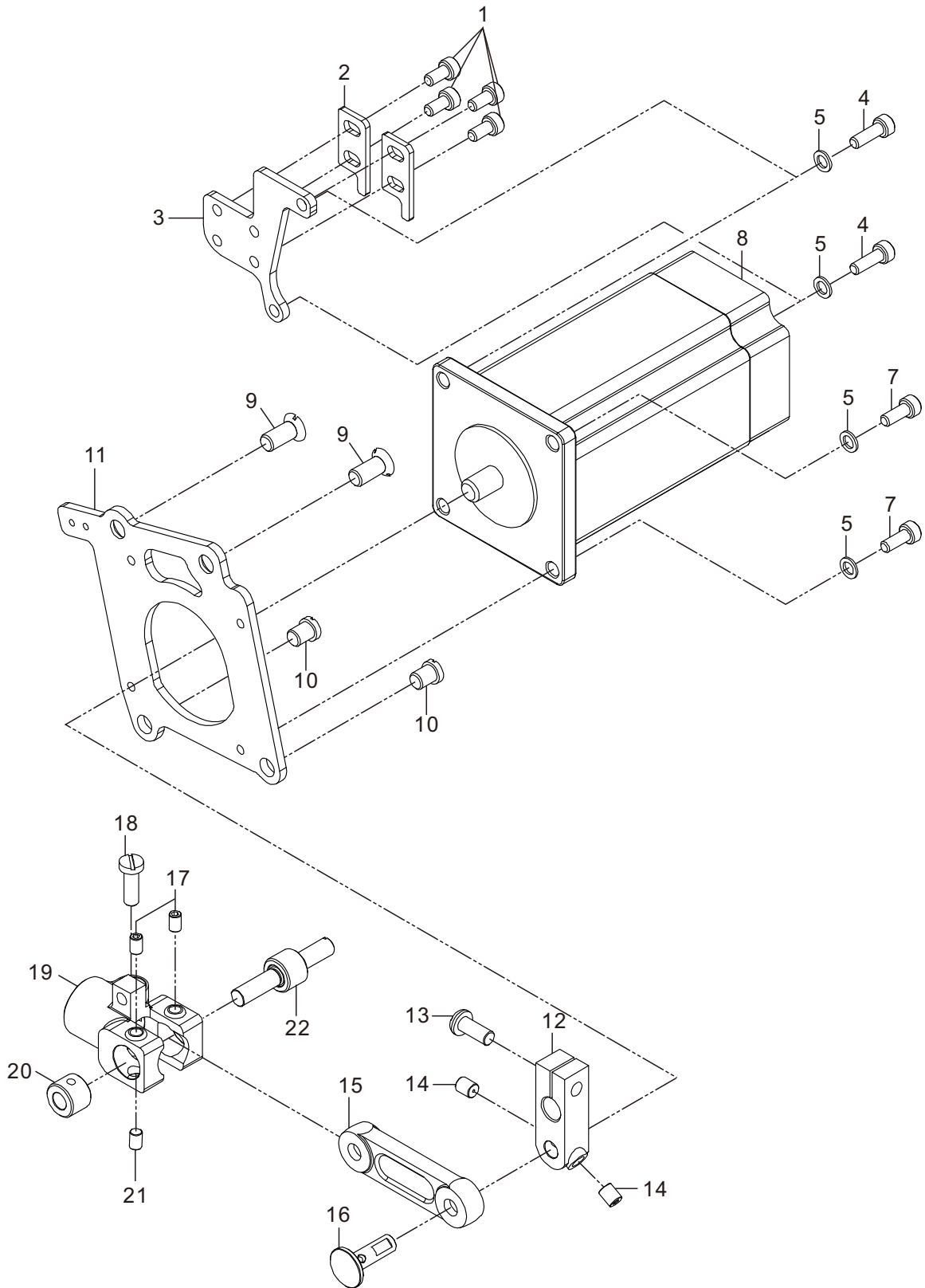


3. 挑线刺布部件				
MAIN SHAFT&THREAD TAKE-UP&NEEDLE BAR COMPONENTS				
序号 NO.	图号 Part No.	描述	Description	数量
1	10009890	螺钉	SCREW	3
2	10000337	旋转挑线盘	BALANCE V	1
3	10000232	旋转挑线盘座组件	TAKE-UP COUNTERWEIGHT ASM.	1
4	10008538	挑线曲柄轴	NEEDLE ROD SHAFT	1
5	20000122	针杆连杆组件	NEEDLE ROD CRANK ROD ASM.	1
6	10003586	轴承	BUSHING	2
7	10000310	针杆连杆	NEEDLE ROD CRANK ROD	1
8	10000319	小连杆导板	NEEDLE ROD CRANK ROD GUIDE	1
9	10000264	螺钉	SCREW	4
10	10000307	针杆连接柱导轨	NEEDLE ROD HOLDER GUIDE	1
11	10000312	螺钉	SCREW	1
12	10011642	螺钉	SCREW	4
13	10000311	针杆曲柄	COUNTER WEIGHT	1
14	10010545	螺钉	SCREW	1
15	10000315	上轴	UPPER SHAFT	1
16	10025881	轴承	BEARING	1
17	10000313	上轴轴承挡圈	MAIN SHAFT BEARING SUPPORT	2
18	10000314	螺钉	SCREW	10
19	10003603	轴承	BEARING	1
20	10000648	上轴带轮	UPPER SHAFT SPROCKET	1
21	10000316	同步齿形带	TIMING BELT	1
22	20006612	离合器组件	SHAFT COUPLING ASM.	1
23	10012613	联轴器前块	NEEDLE ROD CRANK	1
24	10011227	联轴器橡胶块	RUBBER	1
25	10012615	联轴器后块	COUPLING	1
26	10054512	伺服电机	MOTOR A ASM.	1
27	10000233	螺钉	SCREW	4
28	10035508	上轮	HAND WHEEL	1
29	10012162	螺钉	SCREW	2
30	10000203	针杆	NEEDLE ROD	1
31	10000309	针杆连接柱	NEEDLE BAR CONNECTION	1
32	10010018	螺钉	SCREW	1
33	10000322	针杆线钩	THRED RACK. RIGHT	1
34	10010588	螺钉	SCREW	1
35	10003366	机针	NEEDLE (DPx5 #10)	1
36	10000320	螺钉	SCREW	1
37	10000647	摆动架左定位销	SUPPORT BASE GUIDE PIN B	1
38	10000204	针杆摆动架销	SUPPORT BASE GUIDE SHAFT	1
39	10000646	摆动架右定位销	SUPPORT BASE GUIDE PIN A	1
40	10000321	摆动架右定位销O型圈	RUBBER RING	1
41	10000228	针杆轴套	NEEDLE ROD METAL	2
42	10000205	螺钉	SCREW	1
43	10000227	针杆摆动架	NEEDLE ROD SUPPORT BASE	1
44	10003469	销	SPRING PIN	1
45	10000306	摆动架毛毡	NEEDLE ROD SUPPORT BASE FELT	1
46	10000229	针杆摆动架轴	NEEDLE ROD SUPPORT BASE SHAFT	1
47	10000192	针杆摆动架前套	SUPPORT BASE SHAFT FRONT METAL	1
48	10000308	摆动架后外套	SUPPORT BASE SHAFT FRONT METAL	2

49	10000191	摆动架后中套	SUPPORT BASE SHAFT REAR METAL	1
50	10000193	摆动架套垫圈	WASHER	2
51	10000317	摆动架后中套弹簧	SPRING	1

4. 摆针部件

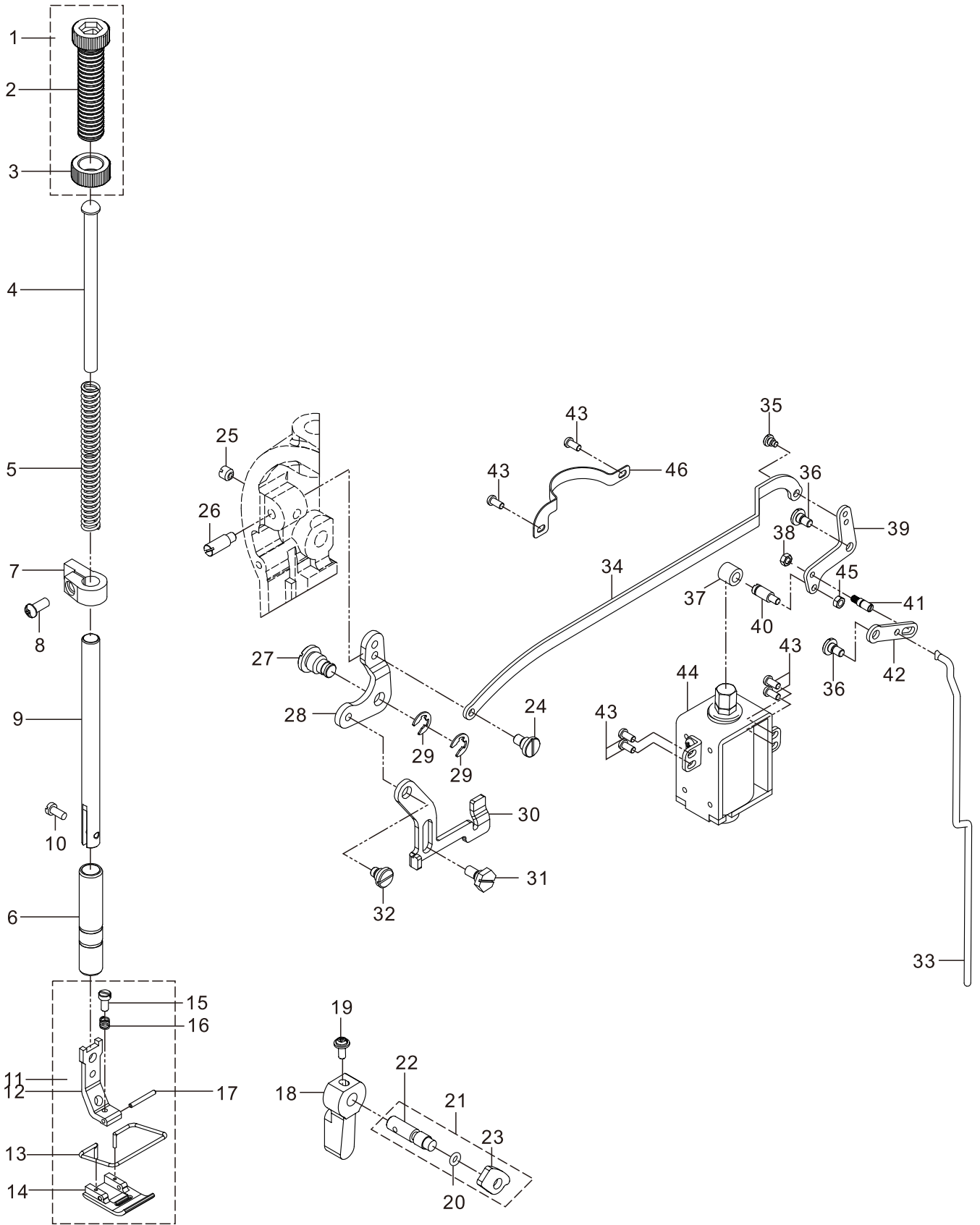
NEEDLE VIBRATOR COMPONENTS



4. 摆针部件				
NEEDLE VIBRATOR COMPONENTS				
序号 NO.	图号 Part No.	描述	Description	数量
1	10000348	螺钉	SCREW	4
2	10008404	限位挡板		2
3	10038085	安装板		1
4	10000863	螺钉	SCREW	2
5	10000417	垫片	WASHER	6
6	10000342	螺钉	SCREW	2
7	10054513	步进电机	PULSE MOTOR	1
8	10000340	螺钉	SCREW	2
9	10000341	螺钉	SCREW	2
10	10025488	步进电机安装板	NEEDLE VIBRATOR UNIT BASIS	1
11	10024828	摆动架驱动块	MOTOR LINK	1
12	10008776	螺钉	SCREW	1
13	10008775	螺钉	SCREW	2
14	10000681	摆动架连杆组件	SHAFT CONNECTION LINK ASM.	1
15	10000640	摆动架连杆销	NEEDLE VIBRATOR JUNCTION ROD	1
16	10009741	螺钉	SCREW	2
17	10000347	螺钉	SCREW	1
18	10000682	摆动架连接座	SUPPORT BASE SHAFT CONNECTION	1
19	10000684	摆动架连杆轴套	SHAFT CONNECTION BUSH	1
20	10009873	螺钉	SCREW	1
21	10000683	摆动架连杆轴	SHAFT CONNECTION PIN	1

5. 抬压脚部件

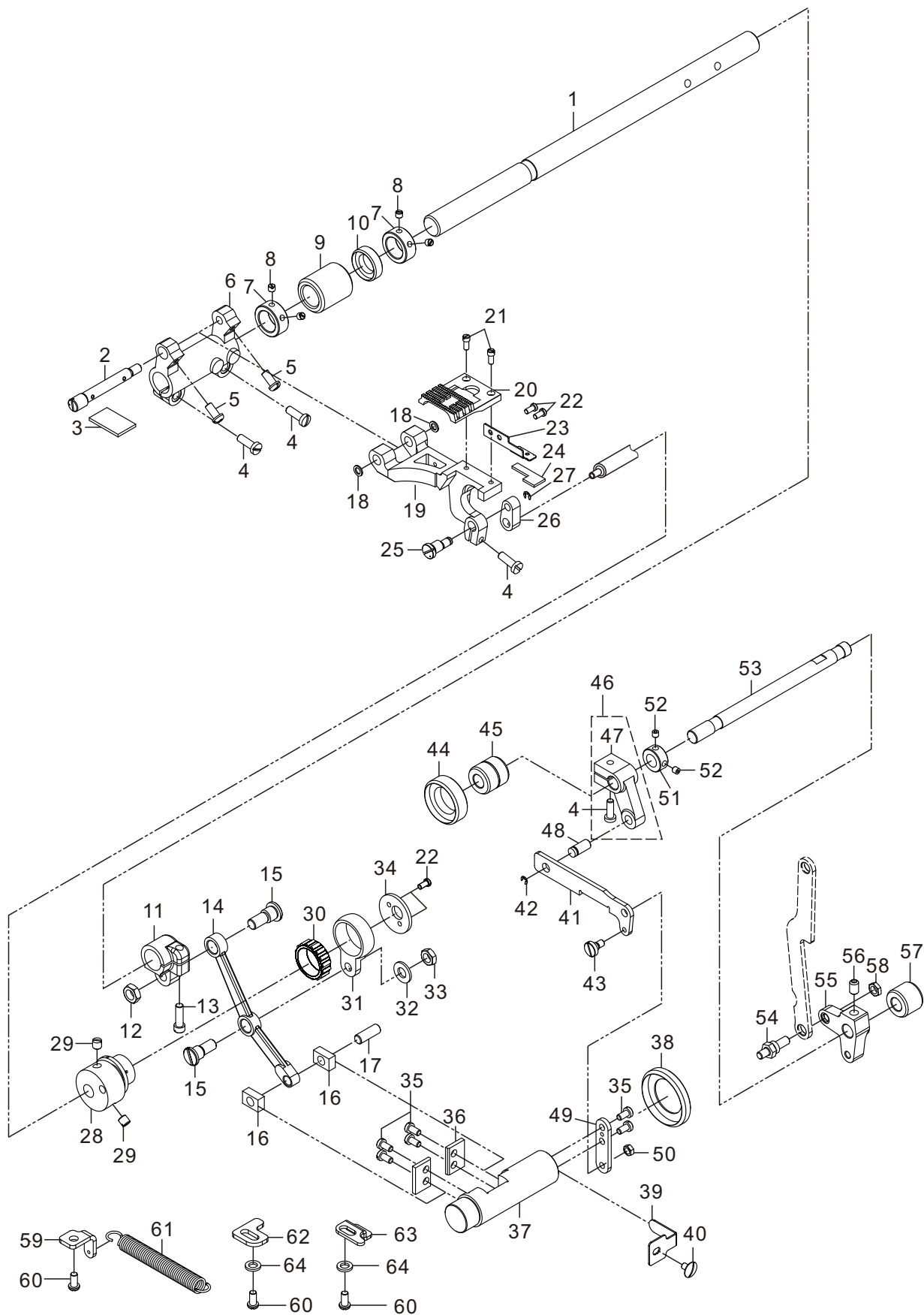
HAND LIFTER COMPONENTS



5. 抬压脚部件				
HAND LIFTER COMPONENTS				
序号 NO.	图号 Part No.	描述	Description	数量
1	10021342	螺钉组件	PRESSER SPRING REGULATOR ASM.	1
2	10013325	螺钉	PRESSER SPRING REGULATOR	1
3	10011023	螺母	NUT	1
4	10004439	调压导杆	PRESSER GUIDE BAR	1
5	10004505	弹簧	PRESSER SPRING REGULATOR	1
6	10027072	压杆衬套	BUSHING	1
7	10000244	压杆导架	PRESSER BAR GUIDE BRACKET	1
8	10013647	螺钉	SCREW	1
9	10026790	压杆	PRESSER BAR	1
10	10010018	螺钉	SCREW	1
11	10003220	活压脚部件	PRESSER FOOT ASM.	1
12	10000250	活压脚柄		1
13	10000252	护针架		1
14	10000254	压脚底板		1
15	10002389	螺钉	SCREW	1
16	10000251	止动螺钉弹簧		1
17	10000253	活压脚销		1
18	10011064	压脚扳手	HAND LIFTER	1
19	10010016	螺钉	SCREW	1
20	10010027	O形圈	RUBBER RING	1
21	10002388	压脚扳手凸轮组件	HAND LIFTER CAM COMPL.	1
22	10000255	压脚扳手轴	HAND LIFTER SHAFT	1
23	10000256	压脚扳手凸轮	HAND LIFTER CAM	1
24	10000248	螺钉	HINGE SCREW	1
25	10005983	螺钉	SCREW	1
26	10002828	螺钉	SCREW	1
27	10000246	螺钉	HINGE PIN	1
28	10000247	抬压脚前杠杆	LIFTING LEVER LINK	1
29	10007859	挡圈	SNAP RING	2
30	10002826	抬压脚升降板	LIFTING LEVER	1
31	10002827	螺钉	HINGE SCREW	1
32	10000245	螺钉	HINGE SCREW	1
33	10060850	顶杆	KNEE LIFTING JUNCTION ROD	1
34	10060852	抬压脚拉杆	KNEE LIFTING SIDE ROD LINK	1
35	10000599	抬压脚杠杆销		1
36	10010652	螺钉		2
37	10039382	尼龙套		1
38	10013710	螺母		1
39	10060848	抬压脚杠杆		1
40	10039376	销		1
41	10001099	自动抬压脚杠杆接头螺钉		1
42	10060849	抬压脚连杆		1
43	10001281	螺钉		6
44	10060890	抬压脚电磁铁		1
45	10010133	螺母		1
46	10061241	线缆固定板		1

6.倒送料部件

FEED MECHANISM COMPONENTS

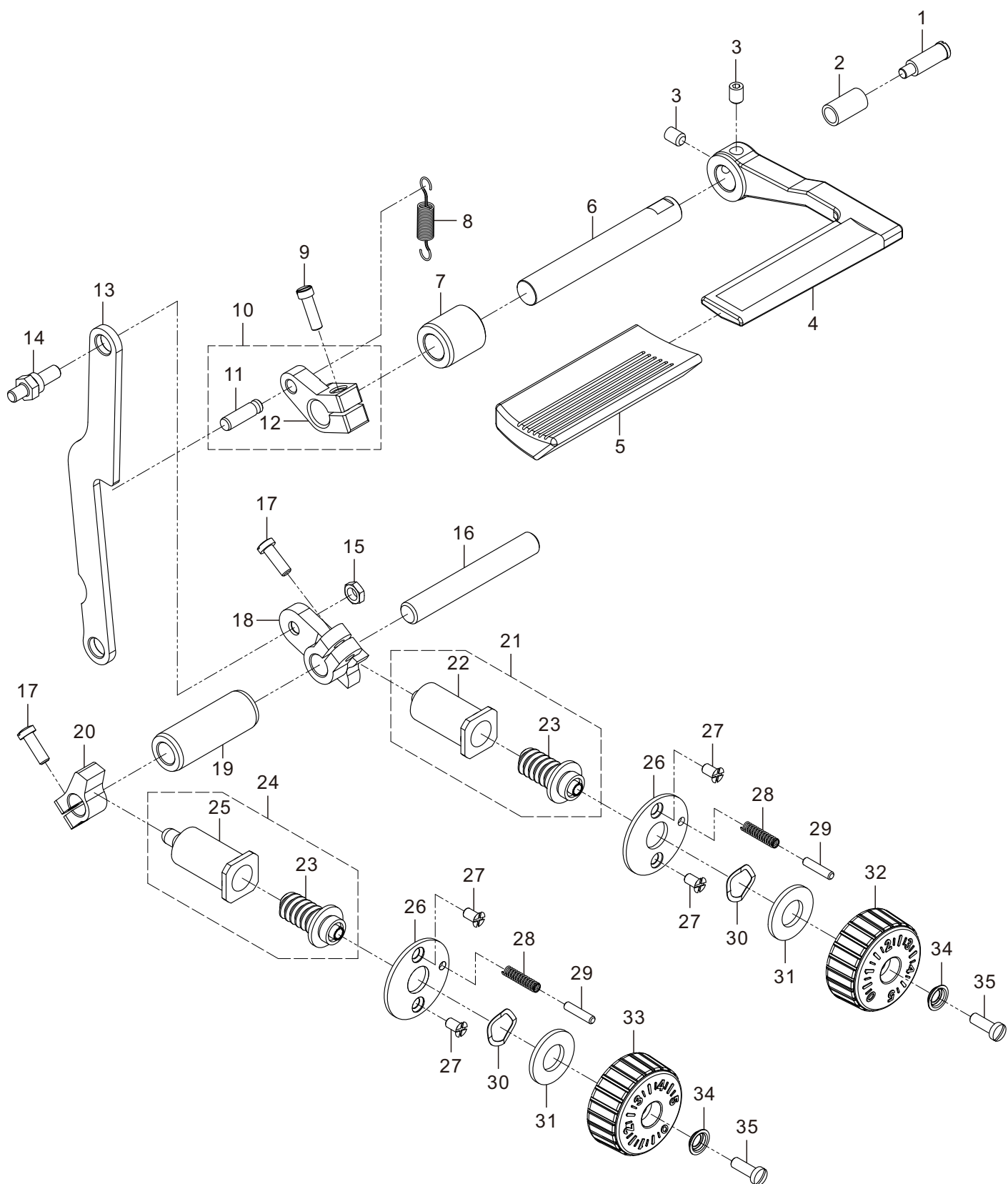


6. 倒送料部件				
FEED MECHANISM COMPONENTS				
序号 NO.	图号 Part No.	描述	Description	数量
1	10000273	送料轴	HORIZONTAL FEED SHAFT	1
2	10000279	牙架销	FEED BASE SHAFT	1
3	10014364	毛毡		1
4	10000347	螺钉	SCREW	4
5	10001281	螺钉	SCREW	2
6	10000278	牙架座	FEED ROCKER	1
7	10000272	送料轴挡圈	THRUST COLLAR ASM.	2
8	10011518	螺钉	SCREW	4
9	10012494	轴套	FEED ROCKER SHAFT METAL	1
10	10012536	油封	OIL SEAL	1
11	10000377	送料曲柄	FEED ROCKER SHAFT CRANK ASM.	1
12	10004475	螺母	NUT	1
13	10000271	螺钉	SCREW	1
14	10000600	传动连杆曲柄	CONNECTING ROD	1
15	10000270	螺钉	SCREW	2
16	10003296	传动轴滑块	FEED DRIVING ROCKER BLOCK	2
17	10003295	传动连杆销	PIN	1
18	10010314	垫圈	SPACER	2
19	10000282	牙架	FEED BASE SHAFT	1
20	10000613	送料牙	FEED DOG	1
21	10000406	螺钉	SCREW	2
22	10000268	螺钉	SCREW	4
23	10031101	下轴毛毡固定板		1
24	10031100	下轴毛毡		1
25	10000281	抬牙销	LINK SHAFT	1
26	10000280	抬牙小连杆	LINK	1
27	10003248	挡圈	E-RING	1
28	10000277	送料偏心凸轮	HORIZONTAL FEED CAM	1
29	10005020	螺钉	SCREW	2
30	10000603	滚针轴承	BEARING	1
31	10000288	送料偏心凸轮套	ROD	1
32	10002986	垫圈	SPRING WASHER	1
33	10004475	螺母	NUT	1
34	10000602	送料偏心凸轮挡板	HORIZONTAL FEED CAM COVER	1
35	10000264	螺钉	SCREW	6
36	10000265	送料连接传动轴挡板	PLATE A	2
37	10000262	传动连接轴	FEED ADJUSTING	1
38	10000267	送料连接传动轴油封	OIL SEAL	1
39	10000601	限位板I	TRGULATE PLATE	1
40	10000266	螺钉	SCREW	1
41	10000284	倒送料板	FEED REVERSAL LINK	1
42	10009654	挡圈	E-RING	1
43	10000285	螺钉	SCREW	1
44	10012622	油封	FEED CHANGING SHAFT OIL SEAL	1
45	10012629	倒送料轴前轴套	METAL. A	1
46	10021315	倒送料曲柄部件	FEED CHANG ARM A ASM.	1
47	10000287	倒送料曲柄II	FEED CHANGE ARM A	1
48	10000286	倒送料曲柄销	FEED ADJUSTING LINK PIN	1

49	10000614	连接板	FEED ADJUSTING ARM	1
50	10011492	螺母	NUT	1
51	10000378	倒送料轴挡圈	THRUST COLLAR	1
52	10013590	螺钉	SCREW	2
53	10000274	倒送料轴	FEED CHANGE SHAFT	1
54	10012418	销	PIN	1
55	10000275	倒送料曲柄 I	FEED CHANGE ARM B ASM.	1
56	10013465	螺钉	SCREW	1
57	10000276	倒送料轴后套筒	METAL. B	1
58	10010725	螺母	NUT	1
59	10000289	复位弹复钩	FEED SPRING RACK	1
60	10000077	螺钉	SCREW	3
61	10000283	复位弹簧	FEED ADJUSTING SPRING	1
62	10000269	限位板III	TRGULATE PLATE	1
63	10002390	限位板II	TRGULATE PLATE	1
64	10005550	垫圈	WASHER	2

7. 针距部件

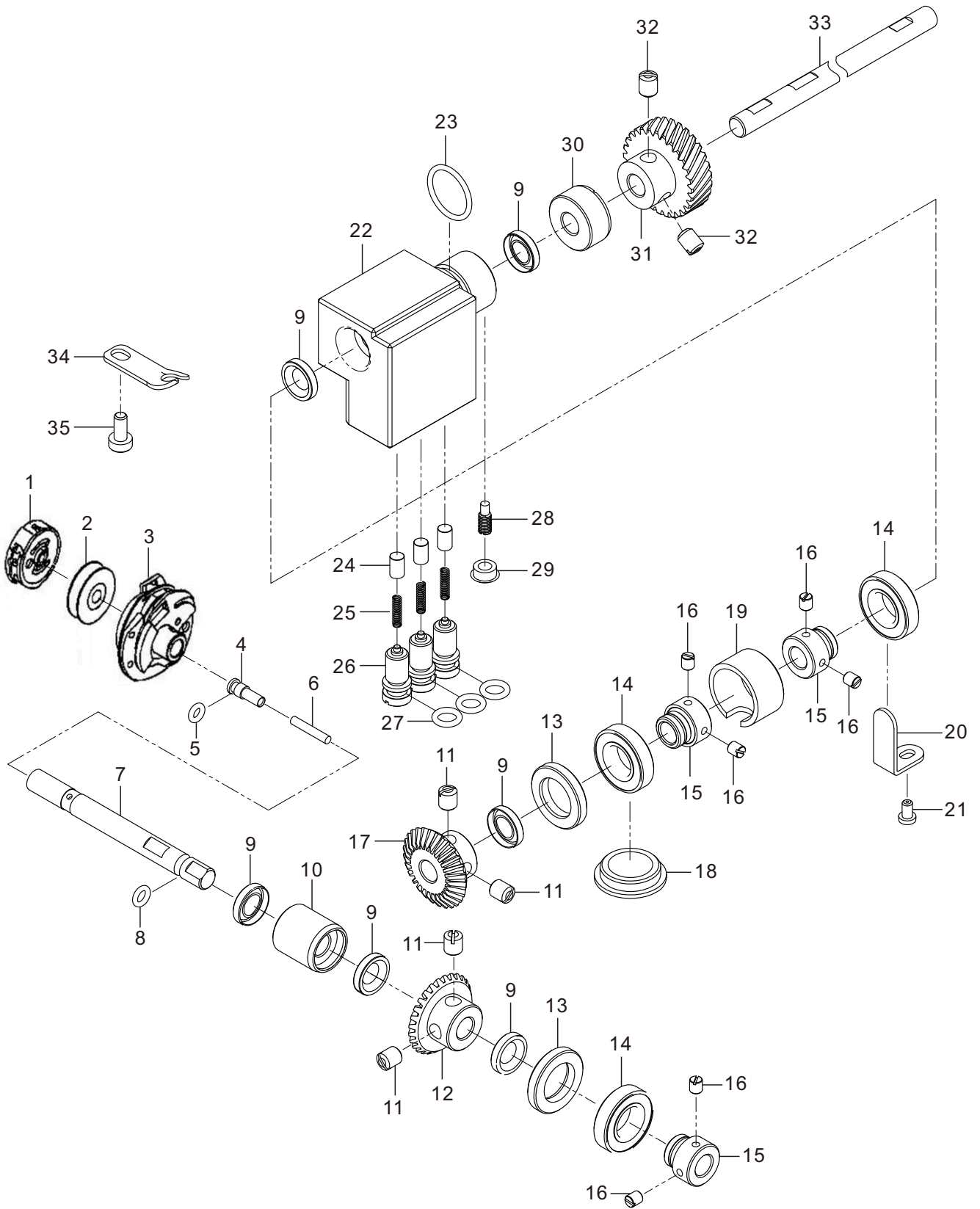
REGULATED RANGE OF STITCH DISTANCE



7. 针距部件				
FEED MECHANISM COMPONENTS				
序号 NO.	图号 Part No.	描述	Description	数量
1	10050707	螺钉	SCREW	1
2	10050706	倒送料扳手挡圈	REVERSE FEED LEVER STOPPER	1
3	10009187	螺钉	SCREW	2
4	20003390	倒送料扳手	FEED LEVER	1
5	10000615	倒缝扳手套		1
6	10012419	倒送料轴	FEED LEVER SHAFT	1
7	10000294	倒缝扳手轴套	FEED LEVER SHAFT METAL	1
8	10000293	倒缝复位弹簧	SPRING	1
9	10000271	螺钉	SCREW	1
10	10039414	倒缝扳手曲柄组件	FEED LEVER ARM ASM.	1
11	10010287	销	PIN	1
12	10012638	倒送料曲柄	FEED CRANK	1
13	10000292	倒缝调节杆	FEED ADJUSTING ROD	1
14	10012418	销	PIN	1
15	10010725	螺母	NUT	1
16	10000291	针距座轴	FEED ADJUSTING SHAFT	1
17	10000347	针距座螺钉	SCREW	2
18	10000301	顺缝针距座	FEED BLIND CONTROLLER	1
19	10000290	针距座轴套	FEED ADJUSTING SHAFT METAL	1
20	10000304	倒缝针距座	CONDENS STOPPER	1
21	10022372	顺缝针距螺杆组件		1
22	10000300	顺缝针距螺杆套	FEED ADJUSTING SHAFT	1
23	10000299	针距螺杆	FEED ADJUSTING SCREW	2
24	10022373	倒缝针距螺杆组件		1
25	10000303	倒缝针距螺杆套	CONDENS ADJUSTING SHAFT	1
26	10000295	针距螺杆限位板	FEED ADJUSTING BASE	2
27	10000101	螺钉	SCREW	4
28	10012152	弹簧	SPRING	2
29	10012153	销	SPRING PIN	2
30	10000297	针距旋钮波形垫圈	WAVED WASHAR	2
31	10000298	针距旋钮垫圈	WASHER	2
32	10000305	顺缝针距旋钮	FEED DIAL	1
33	10000302	倒缝针距旋钮	CONDENS DIAL	1
34	10012150	针距标盘套		2
35	10014409	针距旋钮螺钉	SCREW	2

8. 下轴部件 I

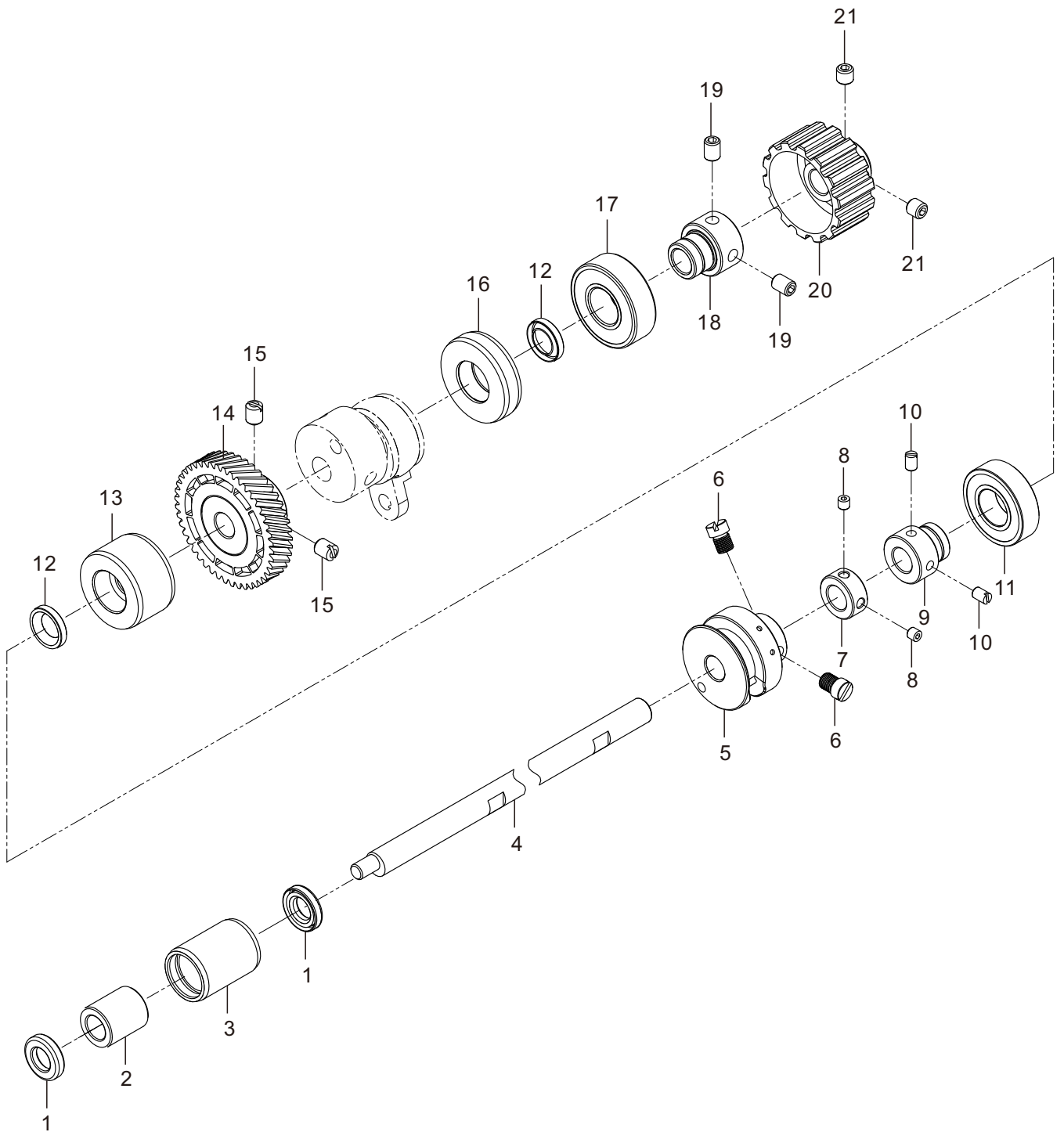
HOOK DRIVING SHAFT COMPONENTS I



8. 下轴部件 I				
HOOK DRIVING SHAFT COMPONENTS I				
序号 NO.	图号 Part No.	描述	Description	数量
1	10053420	梭壳	BOBBIN CASE ASM.	1
2	10010377	梭心	BOBBINS	1
3	10053419	旋梭	HOOK COMPL. V	1
4	10010064	螺钉	SCREW	1
5	10000457	旋梭限油螺钉O形圈	RUBBER RING	1
6	10051548	油芯	OIL WICK	1
7	10030187	旋梭轴II	HOOK SHAFT	1
8	10003437	旋梭轴O形圈	RUBBER RING	1
9	10035171	油封	HOOK SHAFT OIL SEAL	6
10	10000581	旋梭轴轴套	HOOK SHAFT FRONT METAL	1
11	10010065	螺钉	SCREW	4
12	10003937	齿轮	HOOK GEAR	1
13	10030188	旋梭油封套	HOOK SHAFT OIL SEAL METAL	2
14	10012777	轴承	HOOK SHAFT BEARING	3
15	10000458	旋梭轴轴承挡圈	BEARING SUPPOTR	3
16	10000459	螺钉	SCREW	6
17	10010029	齿轮	HOOK GEAR	1
18	10000616	旋梭驱动轴轴承油塞	RUBBER PLUG	1
19	10000617	驱动轴轴承限位套		1
20	10000466	限位板		1
21	10000097	螺钉	SCREW	1
22	10000583	油泵体组件	PUMP METAL	1
23	10000460	O形圈	RUBBER RING	1
24	10002399	柱塞	PLUNGER	3
25	10014386	柱塞簧	RUBBER SPRING	3
26	10000464	螺钉	SCREW	3
27	10014461	O形圈	RUBBER RING	3
28	10000463	螺钉	SCREW	1
29	10000091	左侧小油塞	PLUG	1
30	10000461	旋梭驱动轴后轴套	HOOK DRIVING SHAFT REAR METAL	1
31	10000462	旋梭驱动轴圆柱斜齿轮	HOOK DRIVING GEAR	1
32	10003921	螺钉	SCREW	2
33	10000582	旋梭驱动轴	HOOK DRIVING SHAFT	1
34	10000456	旋梭定位板	INNER HOOK STOPPER	1
35	10010066	旋梭定位板螺钉	SCREW	1

9. 下轴部件 II

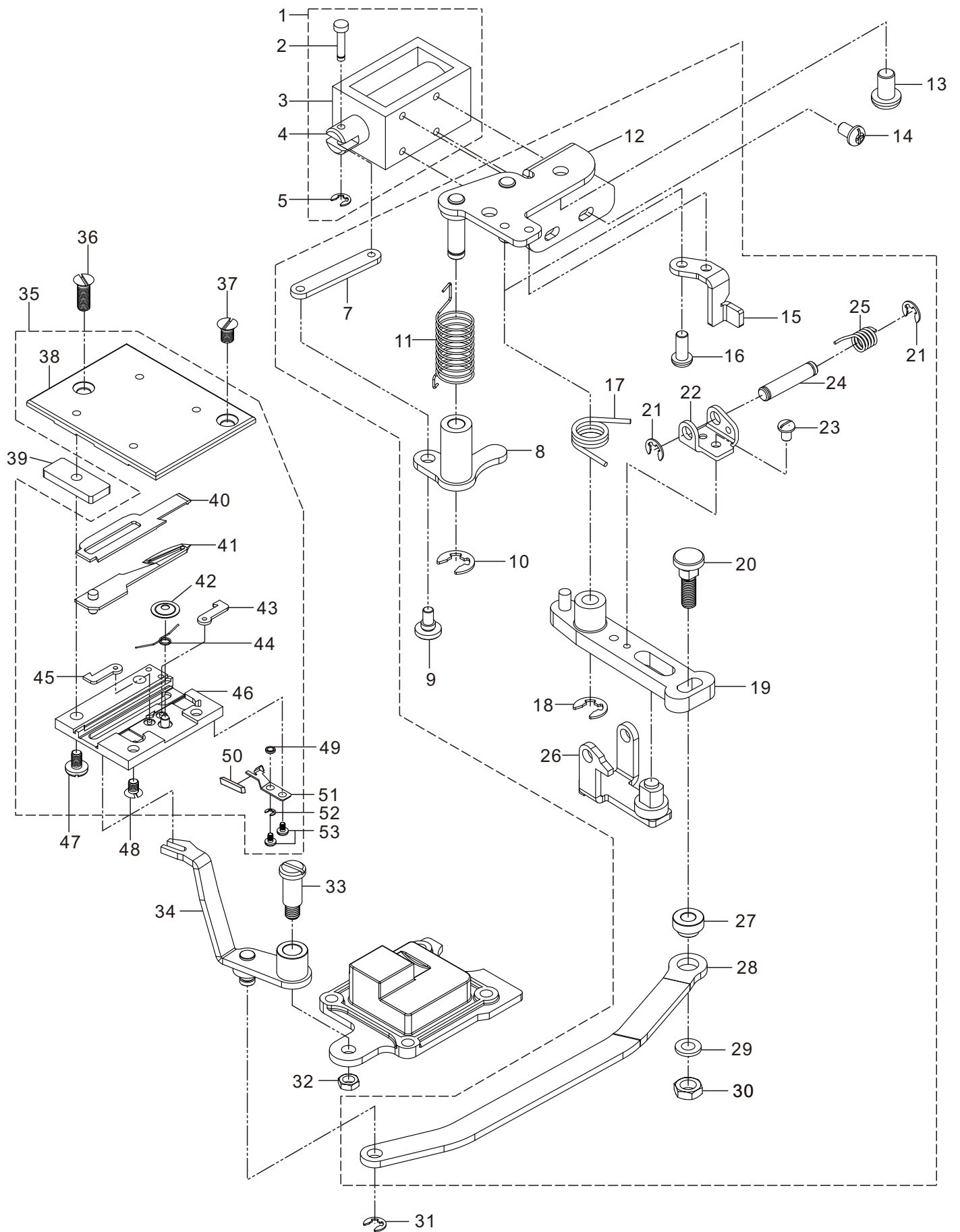
HOOK DRIVING SHAFT COMPONENTS II



9. 下轴部件 II				
HOOK DRIVING SHAFT COMPONENTS II				
序号 NO.	图号 Part No.	描述	Description	数量
1	10007409	油封	OIL SEAL	2
2	10003608	轴承	LOWER SHAFT FRONT BEARING	1
3	10000432	下轴前轴套	LOWER SHAFT FRONT BEARING BUSH	1
4	10000430	下轴	LOWER SHAFT	1
5	10000431	剪线凸轮	THREAD TRIMMER CAM	1
6	10000428	螺钉	SCREW	2
7	10000378	倒送料轴挡圈	THRUST COLLAR	1
8	10013590	螺钉	SCREW	2
9	10002397	下轴中轴承挡圈	LOWER SHAFT INNER BEARING COLLAR	1
10	10002434	螺钉	SCREW	2
11	10009778	轴承	LOWER SHAFT INNER BEARING	1
12	10035169	油封	OIL SEAL	2
13	10000425	下轴中轴套	LOWER SHAFT INNER METAL	1
14	10000427	下轴斜齿轮	HOOK DRIVING GEAR	1
15	10003921	螺钉	SCREW	2
16	10000426	下轴后轴套	LOWER SHAFT REAR BUSH	1
17	10003581	轴承	LOWER SHAFT REAR BEARING	1
18	10000429	下轴后轴承挡圈	LOWER SHAFT REAR BEARING COLLAR	1
19	10000314	螺钉	SCREW	2
20	10003438	下轴带轮	LOWER SHAFT SPROCKET	1
21	10011642	螺钉	SCREW	2

10.切刀部件

THREAD TRIMMER MECHANISM COMPONENTS

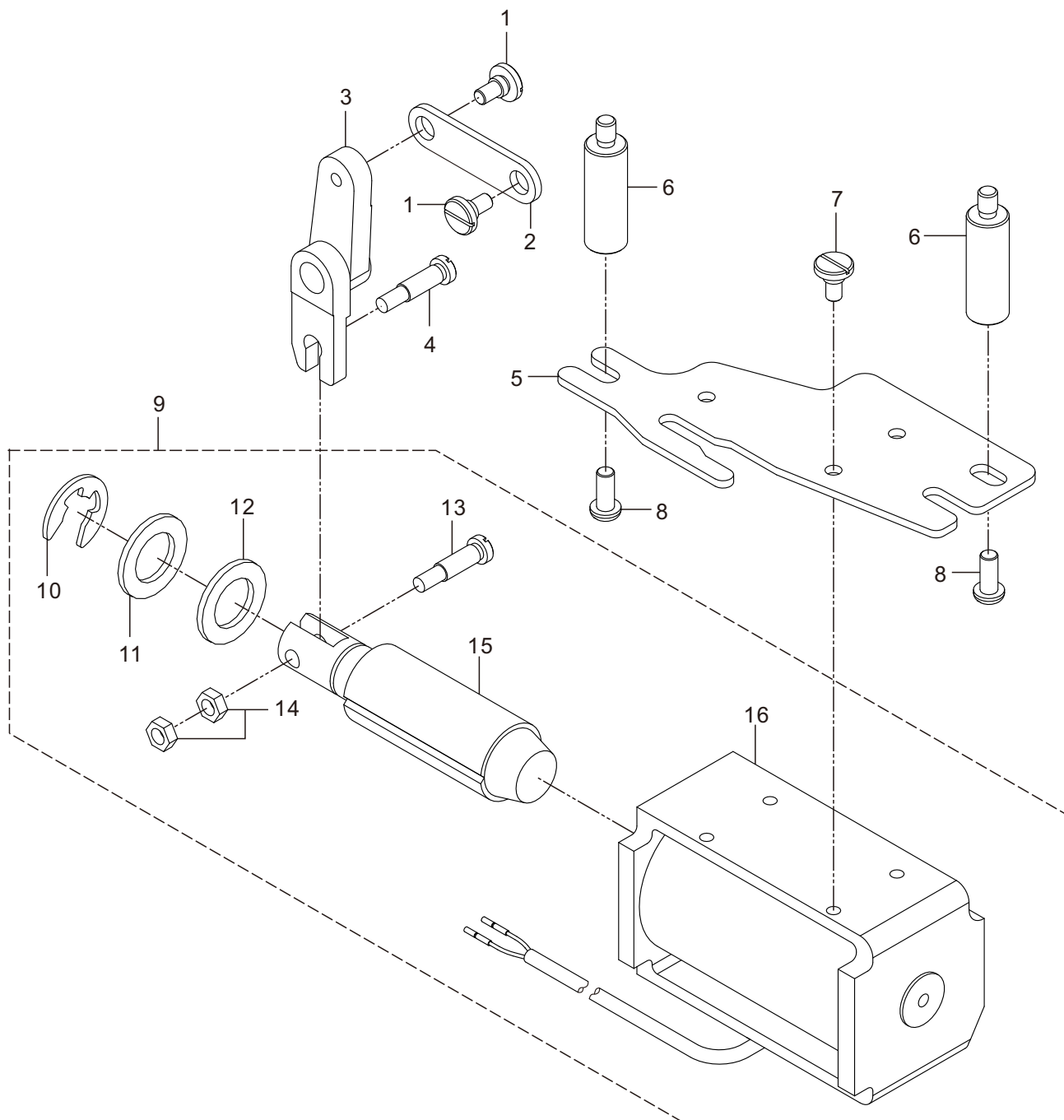


10. 切刀部件				
THREAD TRIMMER MECHANISM COMPONENTS				
序号 NO.	图号 Part No.	描述	Description	数量
1	10022374	切刀电磁铁组件	THREAD TRIMMER SOLENOID ASM	1
2	10000028	电磁铁销	CLUTH LINK PIN	1
3	10000030	切刀电磁铁	THREAD TRIMMER SOLENOID	1
4	10000029	切刀电磁铁铁芯		1
5	10003231	挡圈	E-RING	1
6	10000368	凸轮从动器组件		1
7	10000360	电磁铁连板	CLUTH LINK	1
8	10000367	驱动板组件	CLUTCH PLATE ASM	1
9	10000359	螺钉	HIGH SCREW	1
10	10005634	挡圈	E-RING	1
11	10000358	驱动板复位簧	CLUTCH RETURN SPRING	1
12	10000365	凸轮从动器架组件	BASE PLATE ASM	1
13	10000077	螺钉	SCREW	2
14	10003044	螺钉	SCREW	3
15	10000587	曲柄复位挡板	DRIVING ARM STOPPER	1
16	10009735	螺钉	SCREW	2
17	10000026	驱动曲柄复位簧	KNIFE RETURN SPARING	1
18	10005634	挡圈	E-RING	1
19	10005655	剪线驱动曲柄部件	KNIFE DRIVING ARM ASM	1
20	10000025	连接销	MOVING KNIFE LINK PIN	1
21	10012795	挡圈	E-RING	2
22	10005636	托板支承架	ROLLER ARM SEAT	1
23	10010016	螺钉	SCREW	1
24	10005668	销	ROLLER FULCRUM SHAFT	1
25	10005676	弹簧	ROLLER RETURN SPRING	1
26	10005805	凸轮滚柱托板部件	ROLLER ARM ASM	1
27	10000024	连接销套	MOVING KNIFE LINK BASE	1
28	10000586	驱动连板	MOVING KNIFE LINK	1
29	10005637	垫圈	WASHER	1
30	10005808	螺母	NUT	1
31	10013038	挡圈	E-RING	1
32	10010725	螺母	NUT	1
33	10000031	螺钉	SCREW	1
34	10000023	切刀驱动架组件	FORK KNIFE ASM	1
35	10052387	切刀组件	KNIFE UNIT	1
36	10000035	螺钉	SCREW	1
37	10000033	螺钉	SCREW	1
38	10000038	切刀板	SLIDING PLATE	1
39	10000034	夹紧板	FIXED PLATE	1
40	10052384	上切刀组件	FIXED KNIFE ASM	1
41	10000027	下切刀组件	DRIVING KNIFE ASM	1
42	10000442	弹簧盖帽	LOCATING SPRING WASHER	1
43	10000440	前刀钩	KNIFE STOPPER, RIGHT	1
44	10000441	刀钩弹簧	SPRING	1
45	10000443	后刀钩	KNIFE STOPPER, LEFT	1
46	10000037	切刀架	KNIFE BASE	1
47	10000032	螺钉	SCREW	2
48	10000438	螺钉	SCREW	2

49	10000036	垫片	WASHER	1
50	10002398	毛毡	FELT	1
51	10000444	切刀弹簧片	CLAMP PLATE	1
52	10003070	垫圈	SPRING WASHER	1
53	10000445	螺钉	SCREW	2

11.自动倒送料部件

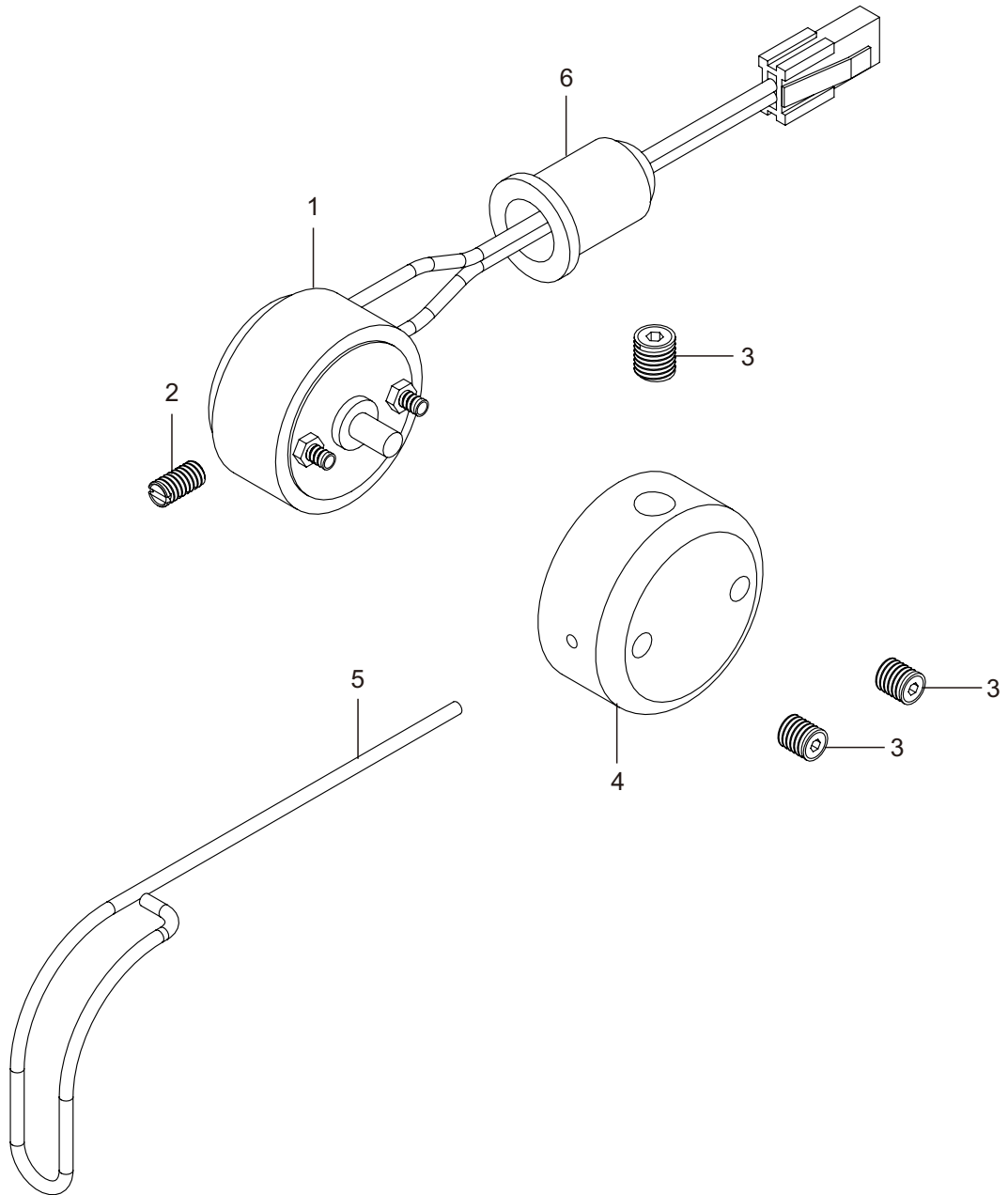
AUTOMATIC REVERSE FEED MECHANISM COMPONENTS



11. 自动倒送料部件				
AUTOMATIC REVERSE FEED MECHANISM COMPONENTS				
序号 NO.	图号 Part No.	描述	Description	数量
1	10003662	螺钉	HINGE SCREW	2
2	10000450	连接板	AUTOMATIC REVERSE FEED ARM	1
3	10003663	驱动轴曲柄	AUTOMATIC REVERSE FEED ARM	1
4	10000451	螺钉	HINGE SCREW	1
5	10000447	倒缝电磁铁固定板	REVERSE FEED SOLENOID BASE	1
6	10000449	螺钉	BELT COVER STUD	2
7	10009906	螺钉	SCREW	3
8	10000077	固定板定位小螺钉	SCREW	2
9	10000446	倒缝电磁铁	SOLENOID BASE ASM	1
10	10003232	挡圈	E-RING	1
11	10000453	电磁铁限位板	WASHER	1
12	10000454	电磁铁垫片	RUBBER PLUNGER	1
13	10000448	螺钉	PLUNGER ARM PIN	1
14	10000100	螺母	NTU	2
15	10000452	电磁铁驱动轴	REVERSE FEED SOLENOID PLUNGER	1
16	10000455	倒缝电磁铁主体	REVERSE FEED SOLENOID	1

12.挑线部件

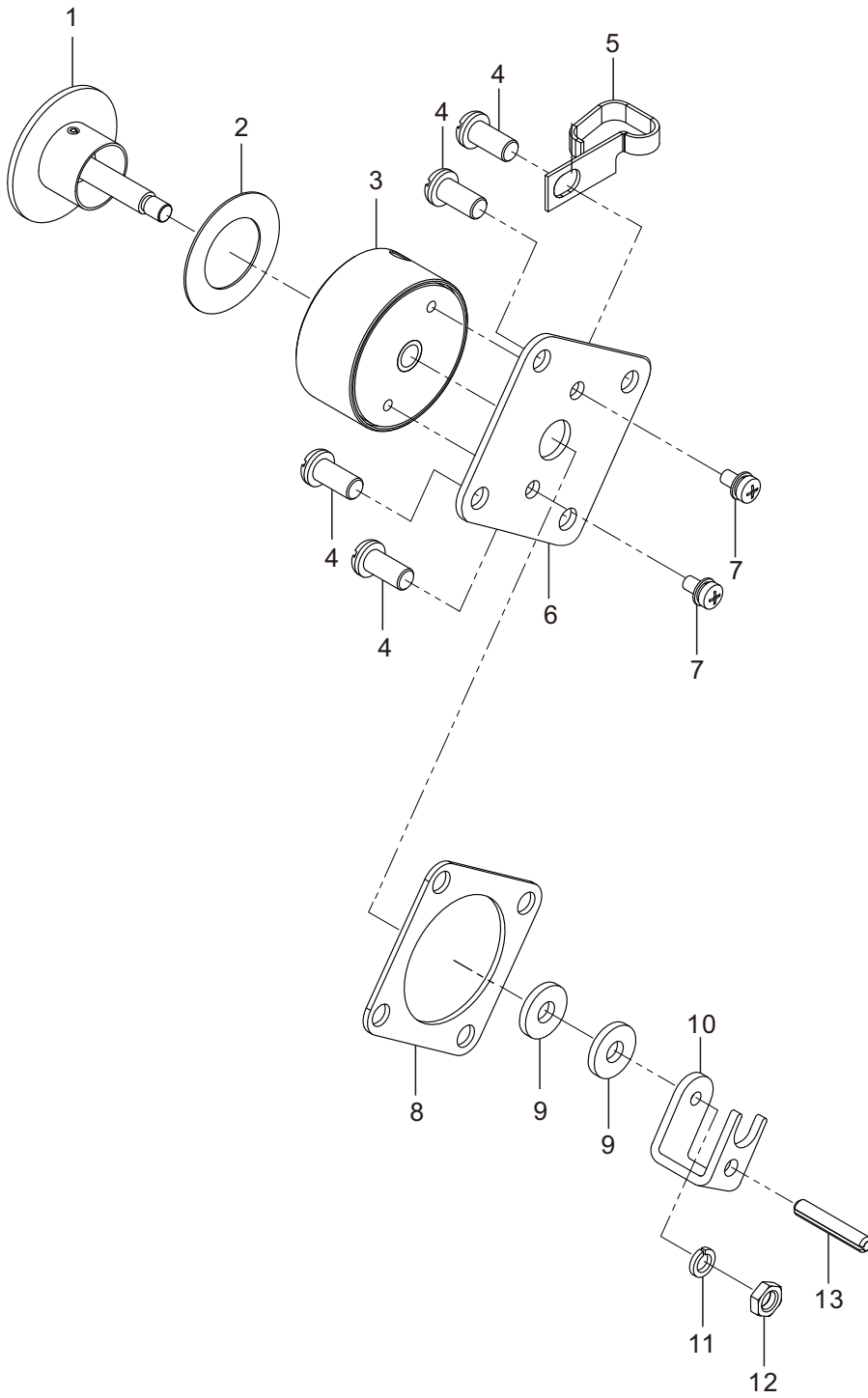
THREAD FEEDER COMPONENTS



12. 挑线部件				
THREAD FEEDER COMPONENTS				
序号 NO.	图号 Part No.	描述	Description	数量
1	10000496	挑线电磁铁	FEEDER SOLENOID ASM	1
2	10000320	螺钉	SCREW	1
3	10013590	螺钉	SCREW	3
4	10000494	挑线电磁铁罩	FEEDER WIRE FITTING BASE	1
5	10000495	挑线杆	FEEDER WIRE	1
6	10004599	扫线拉板橡胶罩		1

13. 松线部件

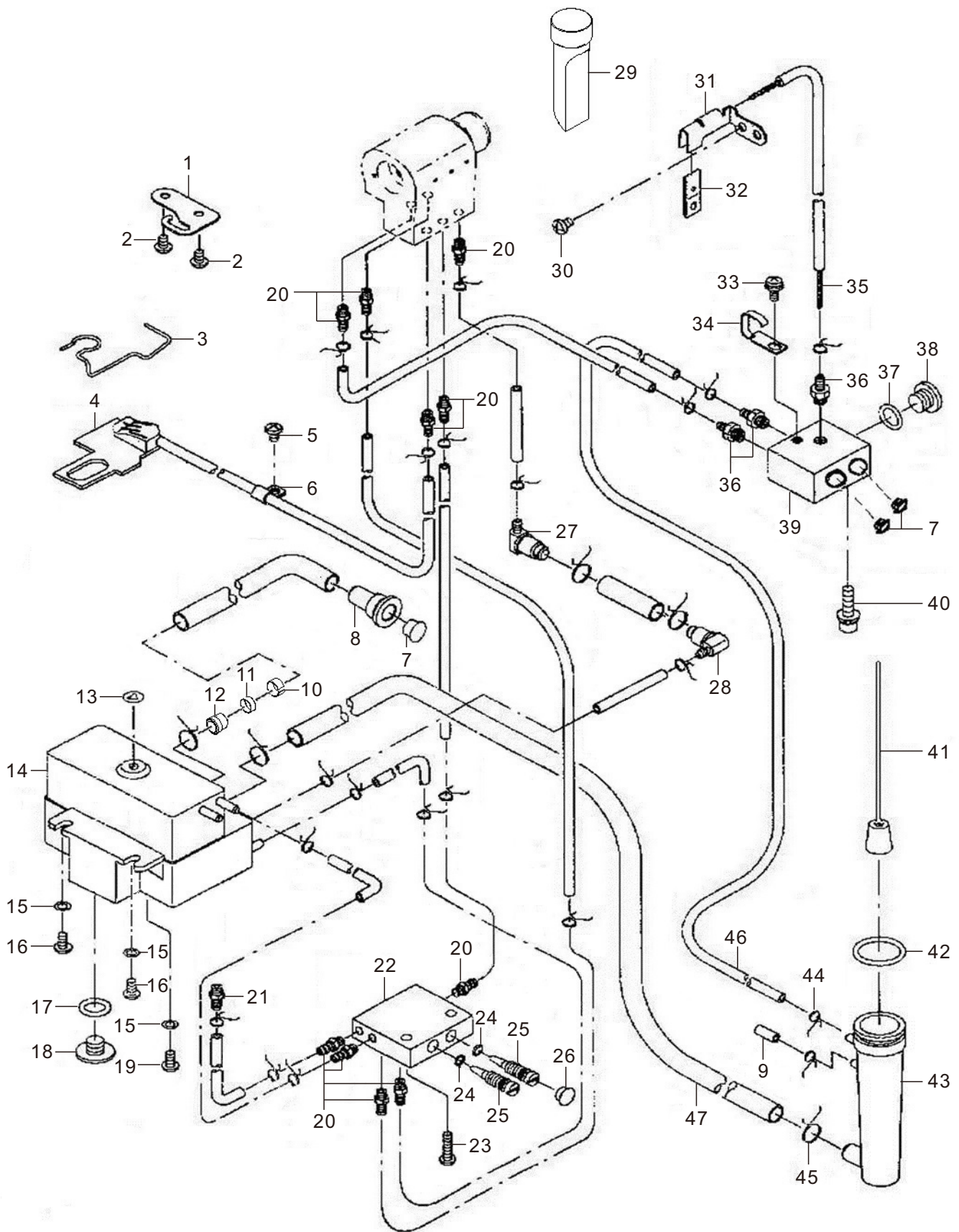
THREAD RELEASE SOLENOID COMPONENTS



13. 松线部件				
THREAD RELEASE SOLENOID COMPONENTS				
序号 NO.	图号 Part No.	描述	Description	数量
1	10000526	松线电磁铁芯组件		1
2	10000503	垫片	CUSHION	1
3	10000504	松线电磁铁主体		1
4	10001281	螺钉	SCREW	4
5	10000092	小线夹	UPPER SHAFT FRONT METAL OIL WIRE HOLDER	1
6	10059125	松线电磁铁安装板	MANUAL SWITCH BASE	1
7	10051646	螺钉组件	SCREW	2
8	10000093	松线橡胶垫	CUSHION	1
9	10000497	垫片	FRAME SIDE COVER GASKET	2
10	10000498	松线板	THREAD RELEASE PUSH PLATE	1
11	10008144	垫圈	SPRING WASHER	1
12	10005297	螺母	NUT	1
13	10009324	销	SPRING PIN	1

14.油路部件

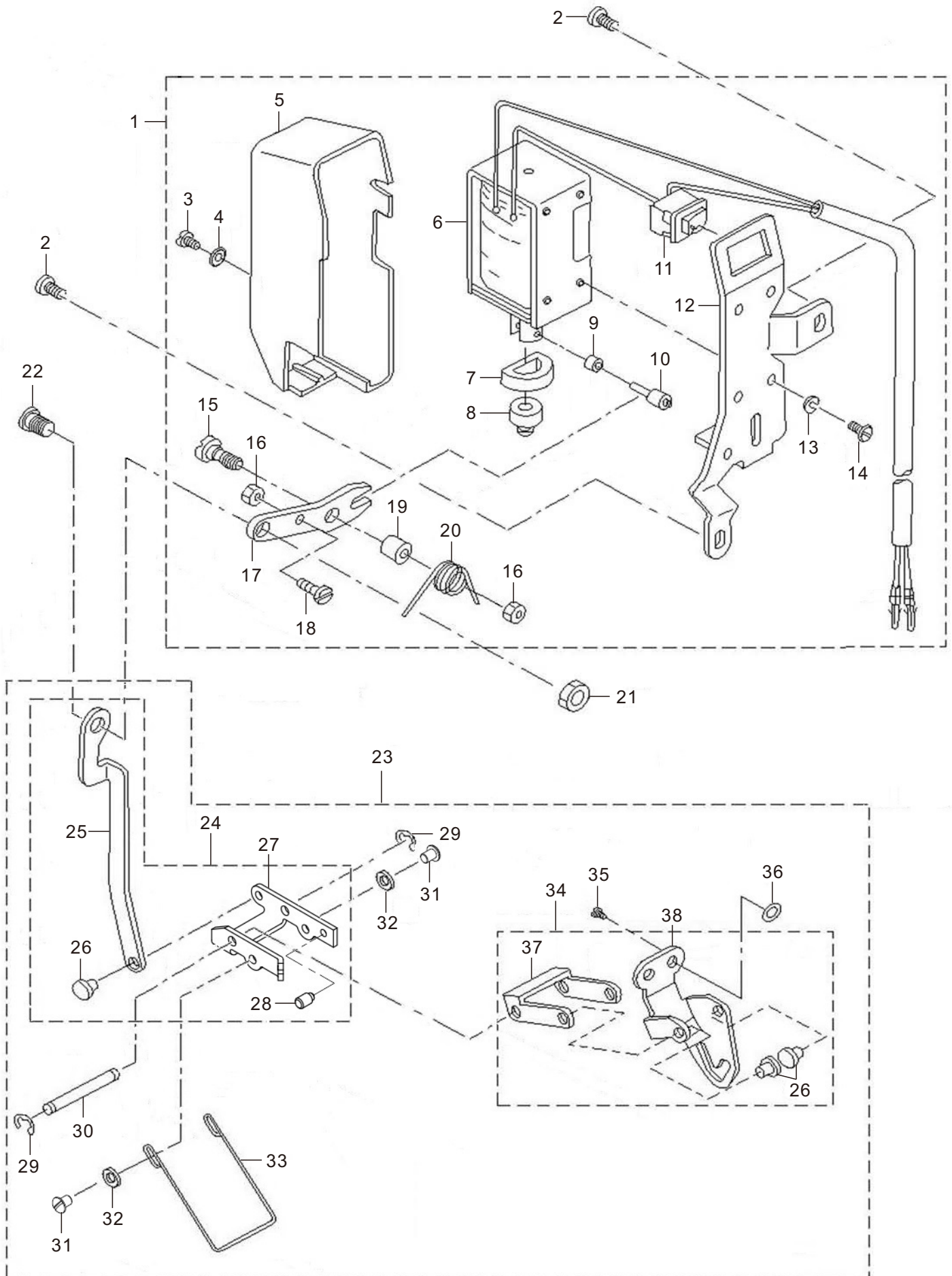
LUBRICATION COMPONENTS



14. 油路部件				
LUBRICATION COMPONENTS				
序号 NO.	图号 Part No.	描述	Description	数量
1	10000630	油管定位板	LUBRICATION TANK PIPE GUIDE	1
2	10000098	螺钉	SCREW	2
3	10000420	毛毡压杆	ONCE THROUGH OIL FELT PRESSER	1
4	10000571	回油管油毡	ONCE THROUGH OIL FELT	1
5	10008778	螺钉	SCREW	1
6	10004476	回油管夹	HOLDER	1
7	10000405	总进油管油塞	RUBBER PLUG	3
8	10008780	加油杯	OIL INLE	1
9	10002396	油杯密封套	RUBBER PLUG	1
10	10024761	油管夹		1
11	10022615	过滤网		1
12	10024762	滤油嘴		1
13	10011135	垫圈	STOPPER	1
14	10000570	油盒	OIL TANK ASM.	1
15	10000417	垫片	WASHER	3
16	10000099	螺钉	SCREW	2
17	10010240	O形圈	RUBBER RING	1
18	10008783	螺钉	SCREW	1
19	10009900	螺钉	SCREW	1
20	10008779	油管接头	LUBRICATION CONNECTOR	10
21	10037790	油管接头	LUBRICATION CONNECTOR	1
22	10002401	油量调节阀	HOOK OIL REGULATING	1
23	10000347	螺钉	SCREW	2
24	10000567	油量调节阀O形圈	RUBBER RING	2
25	10000566	油量调节杆	HOOK OIL REGULATING SCREW	2
26	10000091	左侧小油塞	RUBBER PLUG	1
27	10000468	油管二接头	DISTRIBUTOR	1
28	10000471	油管二接头	DISTRIBUTOR ASM.	1
29	10039621	齿轮箱油标	GEARBOX FLOATER	1
30	10008778	螺钉	SCREW	1
31	10000419	机头润滑油管油毡安装板	FACE LUBRICATION PRESSER	1
32	10000418	机头润滑油管油毡	BALANCE LUBRICATING	1
33	10000422	螺钉	SCREW	1
34	10000082	前支脚油线夹	LUBRICATING OIL WICK STOPPER	1
35	10008068	机头润滑油线	OIL WICK	1
36	10000631	中转箱油管接头	LUBRICATION CONNECTOR	3
37	10000079	齿轮箱密封O形圈	RUBBER RING	1
38	10000423	螺钉	SCREW	1
39	10000421	机头供油中转箱	OIL BOX	1
40	10000157	螺钉	SCREW	2
41	10000569	油标	FLOATER ASM.	1
42	10008777	油杯O形圈	RUBBER RING	1
43	10008782	油杯	FLOATER CASE	1
44	10008781	小油管紧固簧	PIPE STOPPER A	21
45	10008785	大油管紧固簧	PIPE STOPPER B	5
46	10007800	油管	TUBE A	2740
47	10007806	油管	TUBE B	830

15. 拨线部件

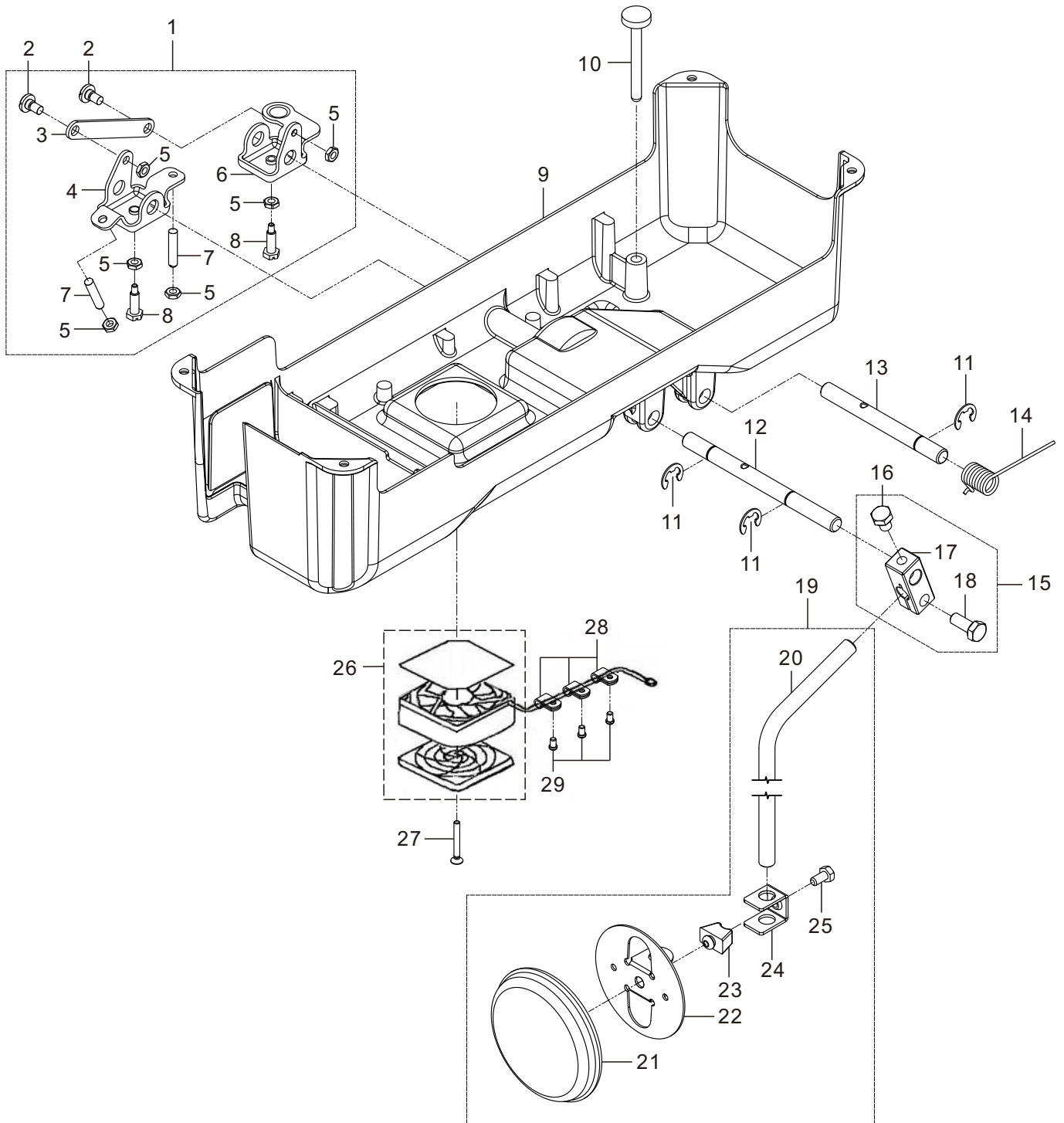
WIPER MECHANISM COMPONENTS



15. 拨线部件				
WIPER MECHANISM COMPONENTS				
序号 NO.	图号 Part No.	描述	Description	数量
1	10000049	拨线电磁铁组件	WIPER SOLENOID ASM	1
2	10000098	拨线电磁铁架螺钉	SCREW	2
3	10003036	螺钉	SCREW	1
4	10002998	垫圈	WASHER	1
5	10005724	拨线器罩	WIPER COVER	1
6	10005736	拨线电磁铁	WIPER SOLENOID	1
7	10005739	铁芯橡皮垫	WIPER RUBBER B	1
8	10012488	铁芯复位垫	WIPER RUBBER A	1
9	10005769	传动销滚柱	WIPER LINK COLLAR	1
10	10005719	销	WIPER SOLENOID PIN	1
11	10000046	拨线器开关	POWER SWITCH	1
12	10000044	拨线电磁铁固定架	WIPER BASE	1
13	10003082	垫圈	SPRING WASHER	4
14	10003036	螺钉	SCREW	4
15	10000048	螺钉	HINGE SCREW	1
16	10005735	螺母	NUT	2
17	10000047	拨线传动板	WIPER LINK	1
18	10008458	弹簧复位螺钉	SCREW	1
19	10005769	轴位螺钉定位套	WIPER HINGE SCREW COLLAR	1
20	10005770	传动板复位簧	WIPER SPRING	1
21	10000100	螺母	NUT	1
22	10000042	螺钉	HINGE SCREW	1
23	10000054	拨线器组件	WIPER ASM	1
24	10000530	驱动板组件	WIPER LINK COMPL	1
25	10000634	驱动板	WIPER LINK	1
26	10000045	驱动板连接销	PIN	3
27	10000529	拨线架	WIPER LINK ASM. 2	1
28	10000635	导向销	GUIDE PIN	1
29	挡圈	E-RING	2	
30	10000050	拨线杆架连接销	WIPER LINK SHAFT	1
31	10000052	拨线杆螺钉	SCREW	2
32	10000051	拨线杆垫片	WASHER	2
33	10000053	拨线杆	WIPER	1
34	10000533	拨线器架组件	WIPER BASE ASM	1
35	10000099	螺钉	SCREW	2
36	10000043	垫片	WASHER	2
37	10000531	拨线小连板	WIPER LINK 1	1
38	10000532	拨线器固定架	WIPER BASE	1

16.油盘部件

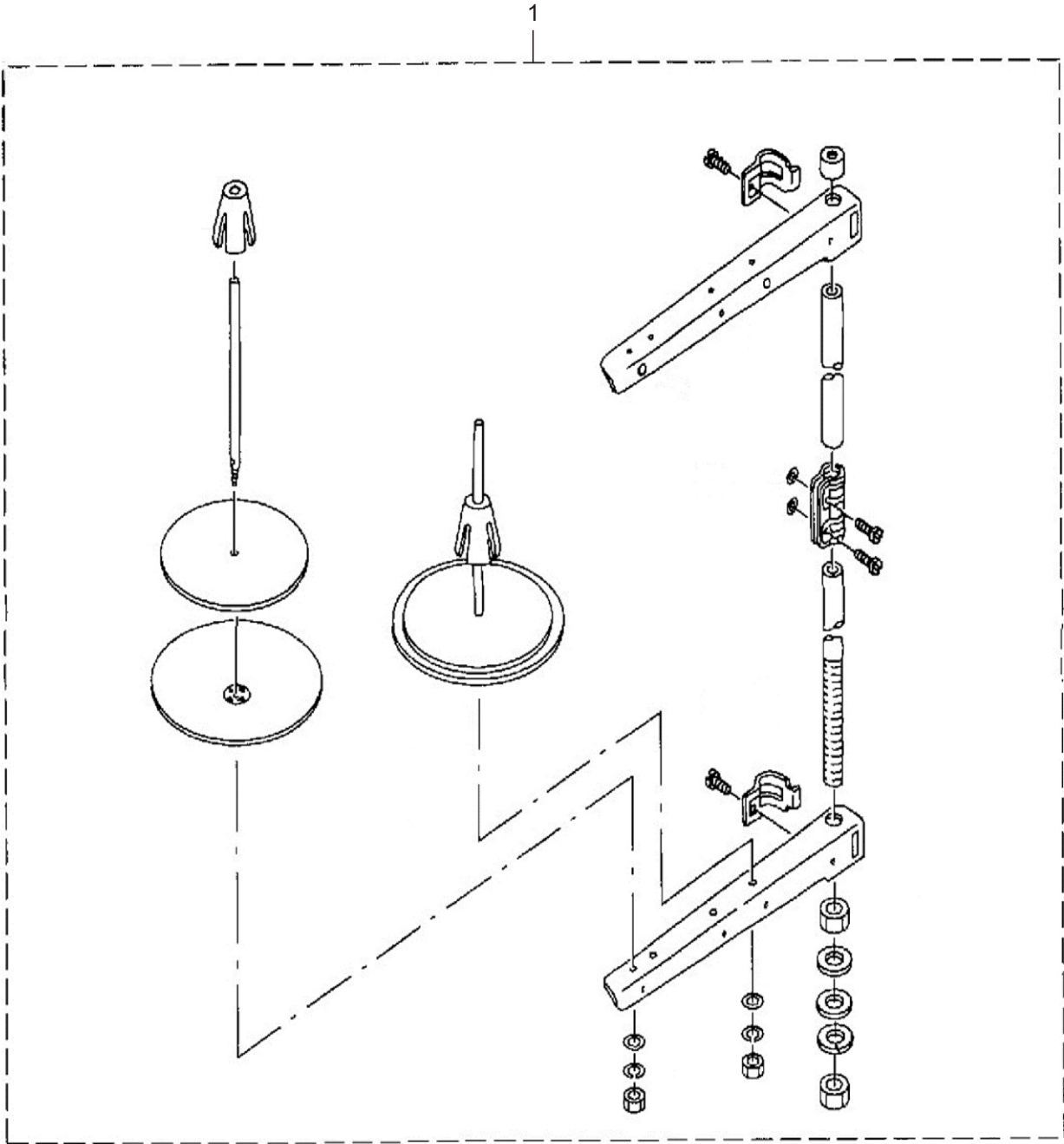
UNDER COVER COMPONENTS



16. 油盘部件				
UNDER COVER COMPONENTS				
序号 NO.	图号 Part No.	描述	Description	数量
1	10024632	膝控限位架组件		1
2	10008465	螺钉	SCREW	2
3	10008464	连接板		1
4	10008463	膝控限位架 I	BRACKET I	1
5	10003890	螺母	NUT	6
6	10008383	膝控限位架 II	BRACKET II	1
7	10003895	螺钉	SCREW	2
8	10003898	螺钉	SCREW	2
9	10000011	油盘	UNDER COVER ASM.	1
10	10012631	抬压脚顶杆	KNEE LIFTER PRESSER ROD	1
11	10002559	挡圈	E-RING	3
12	10008450	抬压脚轴 I	KNEE PRESS ROD I	1
13	10008466	抬压脚轴 II	KNEE PRESS ROD II	1
14	10012677	弹簧	SPRING	1
15	10002562	抬压脚操纵杆接头组件		1
16	10002610	螺栓	SCREW	1
17	10003896	抬压脚操纵接头	BRACKET	1
18	10002613	螺栓	SCREW	1
19	10009985	操纵杆部件	KNEE PAD PLATE ASM	1
20	10003901	操纵杆	KNEE PAD UPRIGHT SHAFT	1
21	10004223	操纵杆软垫	KNEE PAD PLATE COVER	1
22	10003891	操纵板	KNEE PAD PLATE ASM	1
23	10003900	操纵杆垫	KNEE PAD PLATE RUBBER	1
24	10003897	操纵杆接头	KNEE PAD PLATE SUPPORT	1
25	10003894	螺钉	SCREW	1
26	10059636	风扇组件		1
27	10008461	M4×35螺钉		4
28	10008228	SN-3A夹头	COLLET	3
29	10005309	螺钉	SCREW	3

17.线架部件

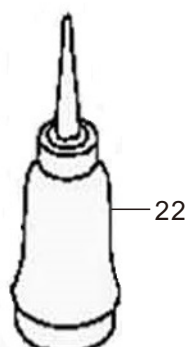
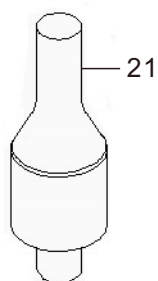
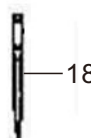
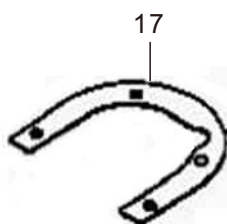
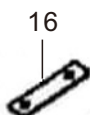
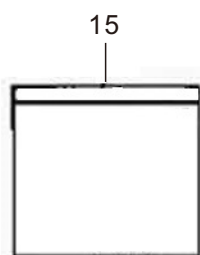
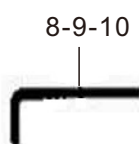
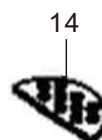
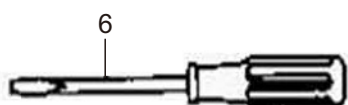
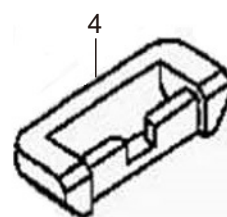
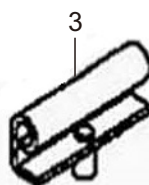
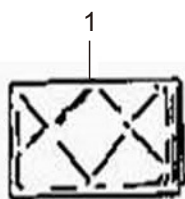
THREAD STAND COMPONENTS



17. 线架部件				
THREAD STAND COMPONENTS				
序号 NO.	图号 Part No.	描述	Description	数量
1	10007130	二线线架部件	THREAD STAND ASM	1

18.附件

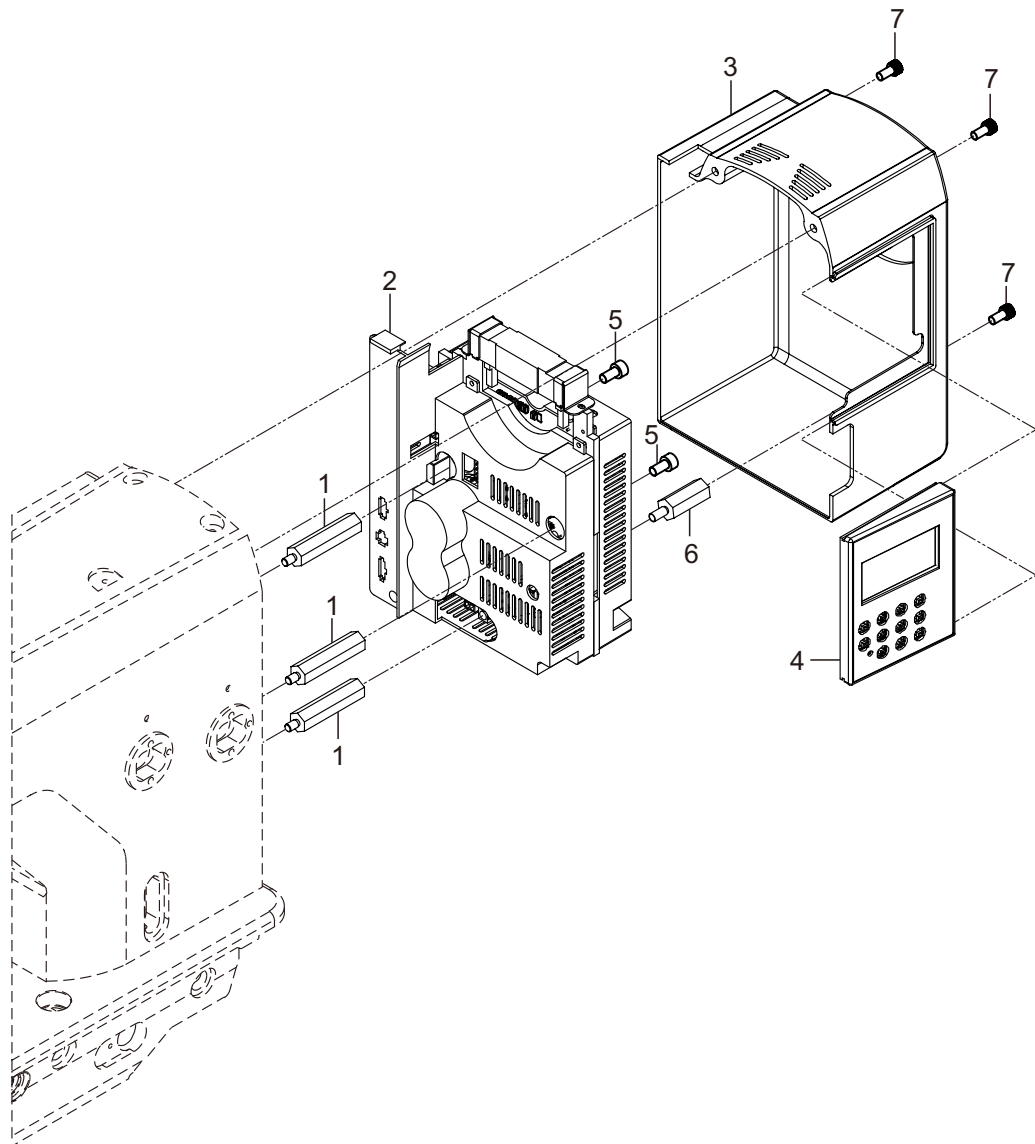
ACCESSORIES PART COMPONENTS



18. 附件				
ACCESSORIES PART COMPONENTS				
序号 NO.	图号 Part No.	描述	Description	数量
1	10004971	机头薄膜袋	VINYL COVER	1
2	10010377	梭心	BOBBINS	3
3	10004466	机头连接钩部件	HINGE COMPL	2
4	10006286	机头连接钩座	RUBBER CUSHION	2
5	10010994	大螺丝刀	SCREW DRIVER. LARGE	1
6	10010995	中螺丝刀	SCREW DRIVER, MIDDLE	1
7	10013185	小螺丝刀	SCREW DRIVER, SMALL	1
8	10009683	内六角扳手	WRENCH	1
9	10009686	内六角扳手	WRENCH	1
10	10009685	内六角扳手	HEXAGONAL WRENCH KEY	1
11	10013102	机头座垫		4
12	10013113	油盘支座	FRAME BUBBER CUSHION	2
13	10003889	油盘座钉	NAIL	8
14	10013101	油盘座垫	WASHER	2
15	10001177	机头罩	ACCESSORIE BAG	1
16	10001242	垫板	SPACER	1
17	10002512	推板垫圈	SPACER	1
18	10003366	机针	NEEDLE	4
19	10004455	油箱		1
20	10008773	橡胶轮	RING	1
21	10011749	机头支承杆		1
22	10054706	油壶组件	DEFRIX OIL NO. 1	1
23	10002480	零件样本		1
24	10034341	电控说明书		1
25	10002458	卷式结束带		320

19. 电控部件

MACHINE CONTROLLER



19. 电控部件				
MACHIE CONTROLLER				
序号 NO.	图号 Part No.	描述	Description	数量
1	10057309	螺柱		3
2	10062979	电控组件		1
3	10056779	电控罩壳		1
4	10056782	操作屏罩		1
5	10011410	螺钉		2
6	10056827	后罩螺钉		1
7	10011824	螺钉		3