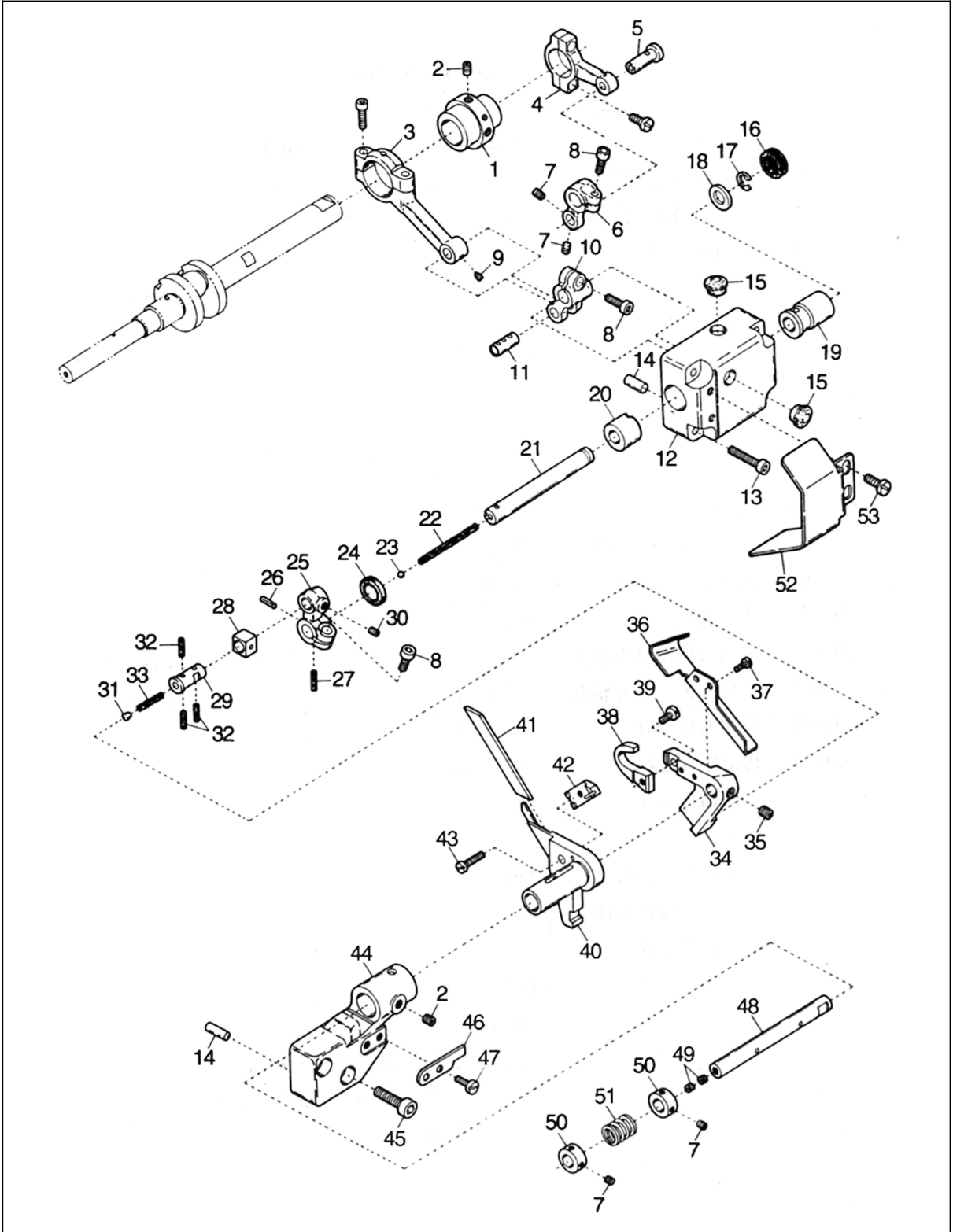


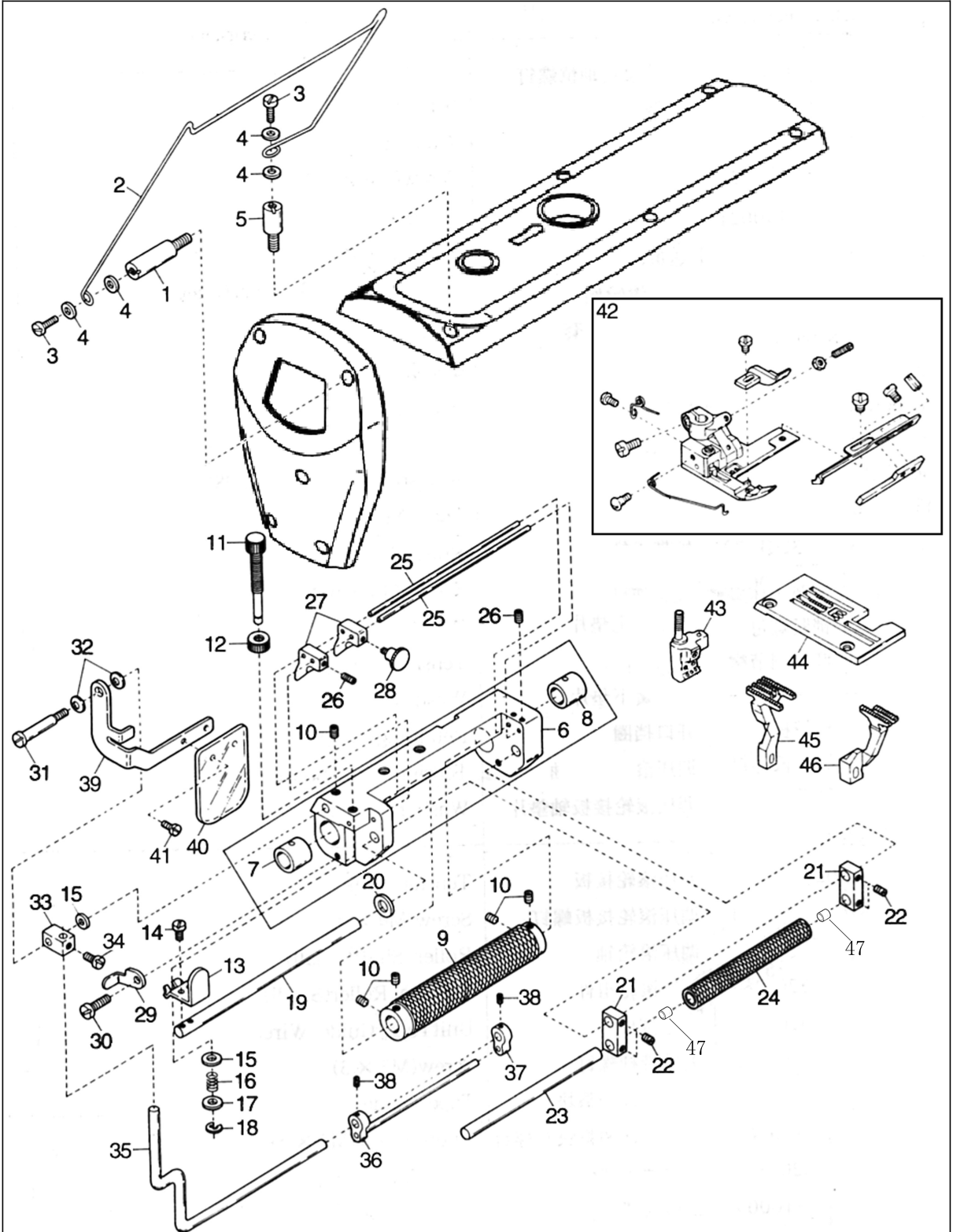
## 上花边专用零部件(1)

## JACKET EXCLUSIVE PARTS (1)

序号 No.	件号 Pars No.	名称	Description	数量 Number
1	10011415	落料板制动块	Supplementary Front Cover Stop	1
2	10011264	螺钉 (M4×8)	Screw (M4×8)	7
3	10011472	落料板滑动长轴	Supplementary Front Cover Shaft (Long)	1
4	10011414	弹簧	Spring	1
5	10009654	挡圈	Collar	1
6	20003839	底板前罩板	Front Cover	1
7	10011418	落料板滑动短轴	Supplementary Front Cover Shaft (Short)	1
8	10009074	螺钉 (M4×4)	Screw (M4×4)	2
9	10011419	落料板安装板	Supplementary Front Cover Support	1
10	10011480	落料板	Supplementary Front Cover	1
11	10011475	导料板	Edge Guide	1
12	10010761	垫圈	Washer	2
13	10011417	缝台摇板	Looper Thread Take-up Cover	1
14	10011474	摇板推柄	Spacer	1
15	10003046	螺钉 (M3×16)	Screw (M3×16)	1
16	10011479	螺钉 (SM11/64"×40)	Screw (SM11/64"×40)	1
17	10010596	垫圈	Washer	1
18	10010835	垫圈	Washer	1
19	10011055	垫圈	Washer	1
20	10011170	螺母	Nut	1
21	20003858	缝台	Cloth Plate (Large)	1
22	10011416	缝台磁铁	Magnet	1
23	20003859	底板左侧摇罩板	Side Cover	1
24	10011613	送料牙架曲柄	Min Feed Bar Lever	1
25	10011671	差动刻度板组件	Differential Feed Graduation	1
26	10011673	机针前护架	Finger Guard	1



序号 No.	件号 Pars No.	名称	Description	数量 Number
1	10004619	弯针后保针架偏心轮	Upper Knife Eccentric	1
2	10012162	螺钉 (M5×5)	Screw (M5×5)	3
3	10004620	上切刀连杆组件	Upper Knife Connecting Rod	1
4	10004280	后保针架连杆组件	Needle Guard Connecting Rod	1
5	10010935	销	Pin	1
6	10010930	后保针架小连杆	Needle Guard Driving Shaft Arm	1
7	10010196	螺钉 (M3×3)	Screw (M3×3)	6
8	10005139	螺钉 (M5×12)	Screw (M5×12)	3
9	10009240	螺钉 (M3×4)	Screw (M3×4)	1
10	10011477	上切刀右曲柄	Upper Knife Driving Shaft Lever (Right)	1
11	10011473	上切刀连杆销	Pin	1
12	20004232	上切刀传动轴座	Upper Knife Driving Shaft Bracket	1
13	10012089	螺钉 (M4×25)	Screw (M4×25)	4
14	10012013	销	Pin	4
15	10013170	橡胶塞	Plug	2
16	10010931	油封	Gasket	1
17	10009654	挡圈	Collar	1
18	10010932	垫圈	Washer	1
19	10011998	轴套	Bushing	1
20	10012006	轴套	Bushing	1
21	10011997	上切刀传动轴	Upper Knife Driving Shaft Lever (Left)	1
22	10008063	油线 $\phi 1.5 \times 70$	Oil Wick	1
23	10012007	堵塞	Seal Plug	1
24	10010927	油封	Gasket	1
25	10011851	上切刀左曲柄	Upper Knife Driving Shaft	1
26	10002778	销	Pin	1
27	10011856	油线	Oil Wick	1
28	10011862	上切刀滑块	Upper Knife Connecting Block	1
29	10011813	上切刀滑块销	Pin	1
30	10009074	螺钉 (M4×4)	Screw (M4×4)	1
31	10004788	堵塞	Seal Plug	1
32	10008071	油线 $\phi 2 \times 1.5$	Oil Wick	3
33	10008095	油线 $\phi 4 \times 30$	Oil Wick	1
34	10012008	上切刀安装座	Upper Knife Holder	1
35	10010907	螺钉 (M6×6)	Screw (M6×6)	1
36	10012009	切屑防护罩	Chip Guard	1
37	10009600	螺钉 (M3×6)	Screw (M3×6)	2
38	10012002	上切刀	Upper Knife	1
39	10009586	螺钉 (SM9/64"×40)	Screw (SM9/64"×40)	1
40	10012011	下切刀安装座组件	Lower Knife Holder	1
41	10004852	下切刀	Lower Knife	1
42	10012005	下切刀压块	Lower Knife Clamp	1
43	10011101	螺钉 (SM11/64"×40)	Screw (SM11/64"×40)	1
44	10012010	下切刀安装座支架	Lower Knife Holder Bracket	1
45	10010997	螺钉 (M6×20)	Screw (M6×20)	2
46	10011999	下切刀安装座定位板	Lower Knife Holder Locking Pin	1
47	10011264	螺钉 (M4×8)	Screw (M4×8)	2
48	10012012	上切刀轴	Upper Knife Holder Pin	1
49	10011070	螺钉 (SM11/64"×40)	Screw (SM11/64"×40)	2
50	10010929	挡圈	Collar	2
51	10012003	弹簧	Spring	1
52	10012000	防油罩	Oil Defender	1
53	10010837	螺钉 (M4×5)	Screw (M4×5)	2



上花边专用零部件(3) JACKET EXCLUSIVE PARTS (3)

序号 No.	件号 Pars No.	名称	Description	数量 Number
1	10011810	螺钉(M4×12)	Screw(M4×12)	1
2	10011808	托带架	Tape Holder	1
3	10042412	螺钉(M4×10)	Screw(M4×10)	2
4	10010761	垫圈	Washer	4
5	10011807	螺钉(M4×12)	Screw(M4×12)	1
6	20003861	送带滚轮座	Tension Roller Holder	1
7	10010751	轴套	Bushing	1
8	10011857	轴套	Bushing	1
9	10011614	送带滚轮	Tension Roller(Large)	1
10	10009074	螺钉(M4×4)	Screw(M4×4)	5
11	10011812	螺钉	Screw	1
12	10011859	螺母	Nut	1
13	10011816	松带手柄	Roller Lever	1
14	10009600	螺钉(M3×6)	Screw(M3×6)	2
15	10012318	垫圈	Washer	2
16	10011858	弹簧	Spring	1
17	10003083	垫圈	Washer	1
18	10003248	挡圈	Collar	1
19	10011850	调压滚轮接板轴	Tension Link Shaft	1
20	10010835	垫圈	Washer	1
21	10011811	调压滚轮接板	Tension Link	2
22	10009074	螺钉(M4×4)	Screw(M4×4)	4
23	10011817	调压滚轮轴	Roller Shaft(Small)	1
24	10004772	调压滚轮	Tension Roller(Small)	1
25	10011815	上导带杆	Unit Tape Guide Wire	2
26	10010196	螺钉(M3×3)	Screw(M3×3)	3
27	10011852	上导带调整块	Tape Guide	2
28	10011860	螺钉	Screw	1
29	10011854	下导带止动板	Tape Guide Stop	1
30	10011264	螺钉(M4×8)	Screw(M4×8)	1
31	10010795	螺钉	Screw	1
32	10010793	垫圈	Washer	2
33	10011675	下导带长杆固定块	Tape Guide Bar Holder	1
34	10013015	螺钉(SM11/64"×40)	Screw(SM11/64"×40)	1
35	10011674	下导带长杆	Tape Guide Bar(Long)	1
36	10011669	下导带杆短杆组件	Tape Guide Unit	1
37	10011668	下导带调整块	Tape Guide	1
38	10009255	螺钉(SM1/8"×44)	Screw(SM1/8"×44)	2
39	10011615	安全板架	Eye Guard Support	1
40	10011164	安全板	Eye Guard	1
41	10011670	螺钉(M2.5×4.5)	Screw(M2.5×4.5)	2
42	*****	压脚组件	Presser Foot, C. Set	1
43	*****	针夹	Needle Clamp	1
44	*****	针板	Stitch Plate	1
45	*****	送料牙	Main Feed Dog	1
46	*****	差动牙	Differential Feed Dog	1
47	10007717	轴承		2

“\*” 具体内容参看专用件表



## 上花边专用零部件(4)

## JACKET EXCLUSIVE PARTS (4)

序号 No.	件号 Pars No.	名称	Description	数量 Number
1	10011814	送带滚轮轴	Roller Shaft	1
2	10012162	螺钉 (M5×5)	Screw (M5×5)	4
3	10011861	垫圈	Washer	1
4	10003273	挡圈	Collar	1
5	10011809	离合器	Clutch, C. Set	1
6	10011853	轴套	Bushing	1
7	10011264	螺钉 (M4×8)	Screw (M4×8)	1
8	10011855	调整曲柄板	Clutch Lever Pin Adjusting Plate	1
9	10013040	螺钉 (M3×6)	Screw (M3×6)	2
10	10014231	螺钉	Screw	1
11	20003860	送带滚轮座固定架	Tension Roller Holder Bracket	1
12	10011313	螺钉 (M6×12)	Screw (M6×12)	4
13	10011554	上轴后节轴	Upper Shaft (Right)	1
14	10011610	离合器偏心轮组件	Clutch Eccentric, C. Set	1
15	10011551	离合器连杆	Clutch Driving Rod	1
16	20003814	手轮	Handwheel	1
17	10010907	螺钉 (M6×6)	Screw (M6×6)	2
18	10011555	离合器调整曲柄销	Pin	1
19	10011609	调整曲柄指针	Pointer	1
20	10021296	轴承	Bearing	1
21	10011552	球套滚针轴承内套	Bushing	1
22	10003019	垫圈	Washer	1
23	10003084	螺母	Nut	1
24	10011806	离合器连杆护罩组件	Clutch Rod Cover, C. Set	1
25	10042412	螺钉 (M4×10)	Screw (M4×10)	2